

REPAIR SHEET

BRAND

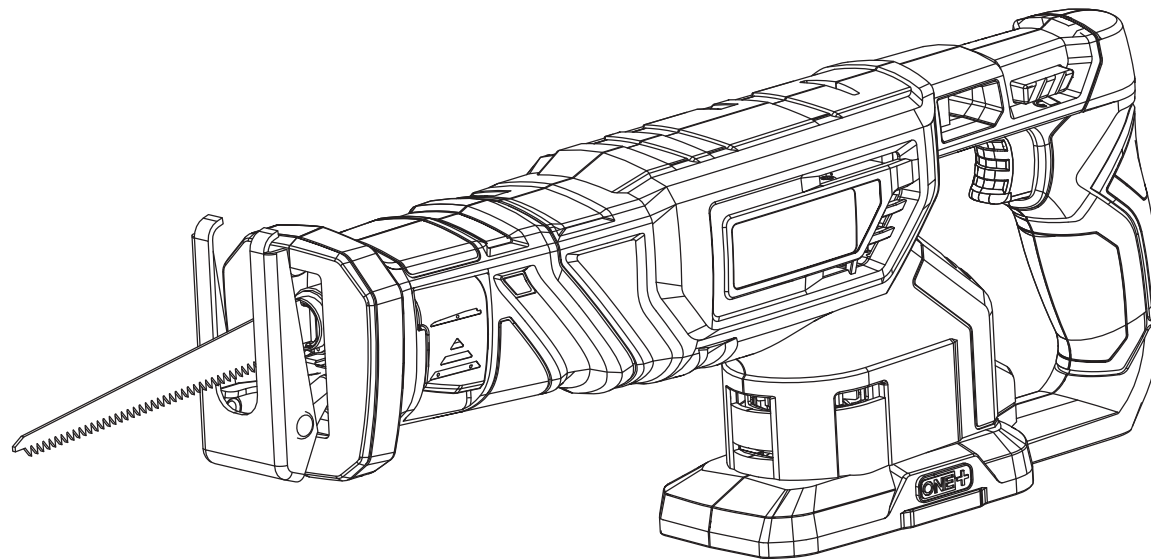
RYOBI

DESCRIPTION

18 Volt Reciprocating Saw

MODEL NO.

P519

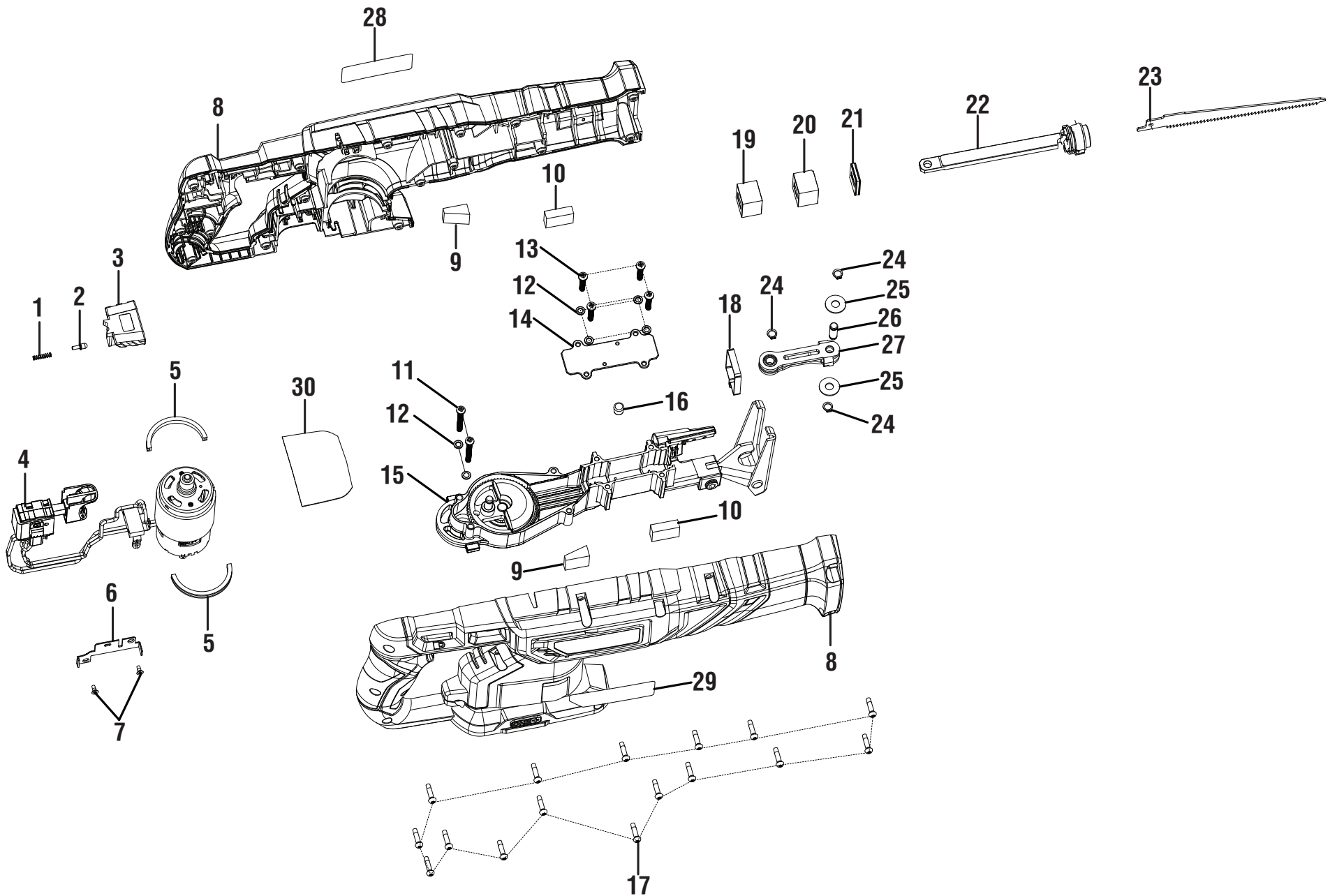


ONE WORLD TECHNOLOGIES, INC.

P.O. Box 1288, Anderson, SC 29622 ■ 1-800-525-2579 ■ www.ryobitools.com

9-16-21 (Rev:06)

The model number and manufacturing location will be found on a label attached to the product. Always mention this information in all communications regarding this product and when ordering parts.



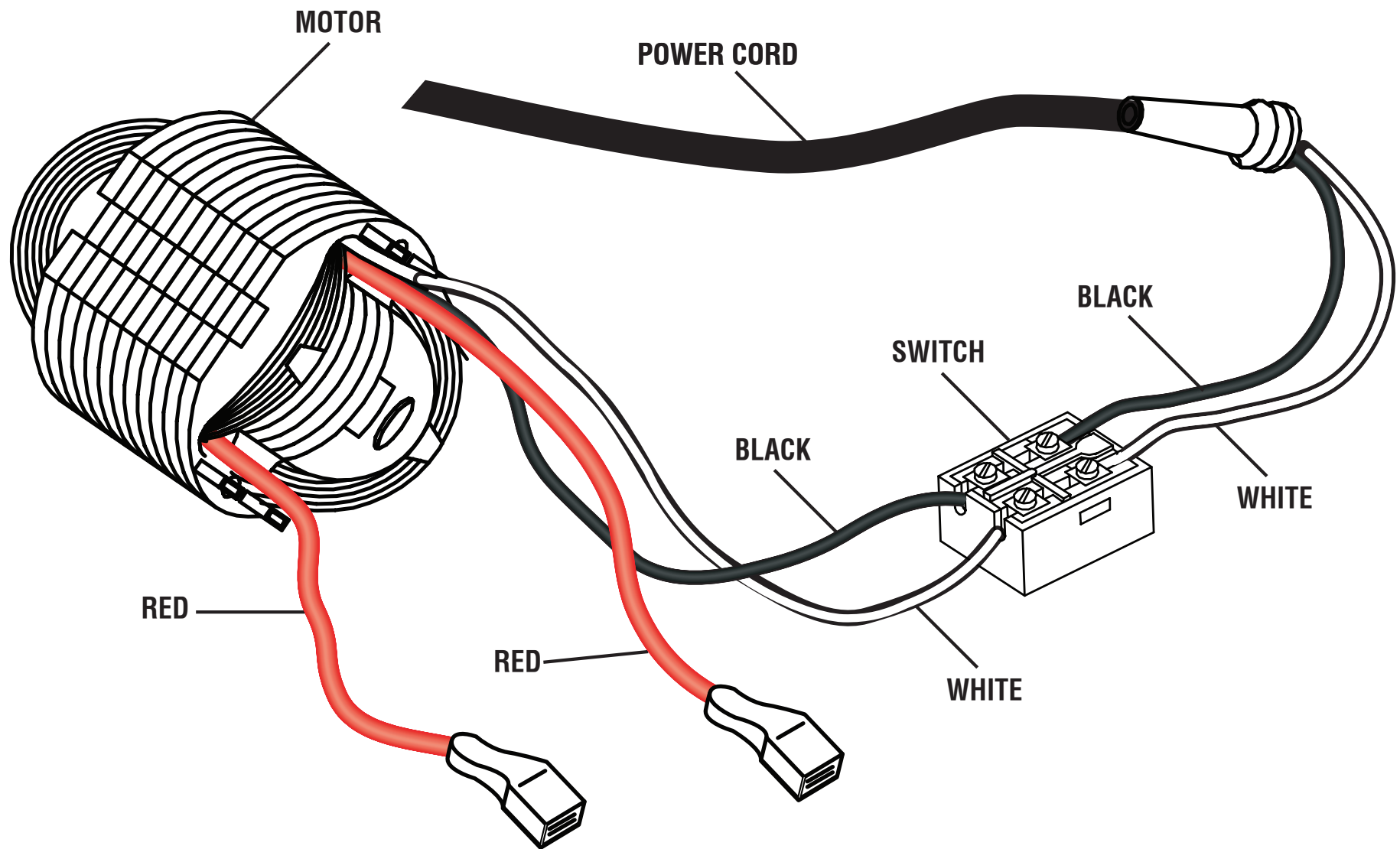


P519

PARTS LIST

KEY NO.	PART NO.	DESCRIPTION	QTY.
1	692177001	Compression Spring	1
2	526010001	Lock Pin	1
3	538481001	Lock-Off Button	1
4-CN	206905001	Switch and Motor Assembly	1
4-VN	206905002	Switch and Motor Assembly	1
5	570264001	Motor Cushion	2
6	633766002	Wire Guard	1
7	660221008	Screw (M2.6 x 6 mm)	2
8-CN	204784005	Housing Assembly	1
8-VN	204784007	Housing Assembly	1
9	560723001	Rubber Pad	2
10	560703001	Rubber Wedge	2
11	660212073	Screw (M4 x 26 mm, Pan Hd.)	2
12	670030004	Washer (OD7.2 x ID4.2 x 1)	6
13	660165011	Screw (M4 x 12 mm, T20 Torx Pan Hd.)	4
14	633372001	Rod Cover	1
15	206919001	Gear Case, Shoe & Blade Clamp Assembly	1
16	560704001	Rubber Cushion	1
17	662565001	Screw (M3.5 x 14 mm, T10 Torx Pan Hd.)	16

KEY NO.	PART NO.	DESCRIPTION	QTY.
18	561319001	Foam Rubber	1
19	672355004	Rear Sliding Bushing	1
20	672353003	Front Sliding Bushing	1
21	901512001	Foam Rubber	1
22-CN	300309048	Sliding Rod w/Blade Clamp Assembly	1
22-VN	300309052	Sliding Rod w/Blade Clamp Assembly	1
23	682369002	Blade (Wood Cutting)	1
24	670704001	Retaining Ring	3
25	690915019	Washer (OD16 x ID6.3 x 1.2 mm)	2
26-CN	674012001	Pin	1
26-VN	681081002	Pin	1
27-CN	204126007	Connecting Rod Assembly	1
27-VN	204126009	Connecting Rod Assembly	1
28	940304497	Logo Label	1
29-CN	941122265	Data Label	1
29-VN	941122658	Data Label	1
30	941120465	Warning Label	1
	Not Shown:		
	995000901	Operator's Manual	



WIRING DIAGRAM