



OPERATOR'S MANUAL

MANUEL D'UTILISATION
MANUAL DEL OPERADOR

18 VOLT RECIPROCATING SAW

SCIE ALTERNATIVE 18 V À
SIERRA ALTERNATIVA DE 18 V

P519

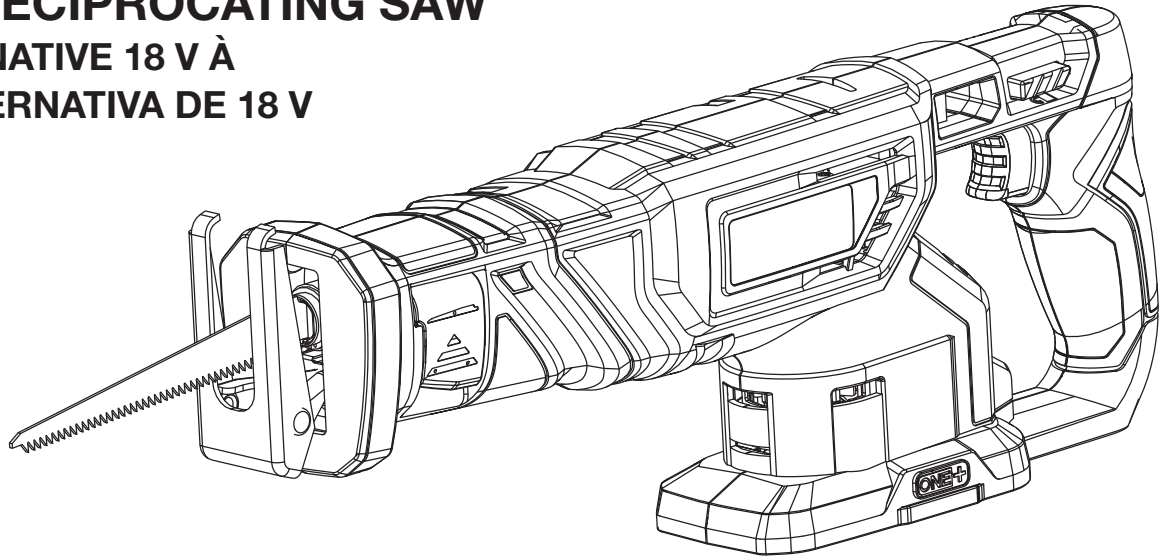


TABLE OF CONTENTS

- General Power Tool Safety Warnings2-3
- Safety Instructions for Reciprocating Saws 3
- Symbols..... 4
- Features..... 5
- Assembly 5
- Operation.....5-7
- Maintenance..... 7
- Illustrations8-9
- Parts Ordering and ServiceBack page

TABLE DES MATIÈRES

- Avertissements de sécurité générales relatives aux outils électriques2-3
- Instructions de sécurité pour le scie alternative 3
- Symboles..... 4
- Caractéristiques 5
- Assemblage..... 5
- Utilisation5-7
- Entretien 7
- Illustrations8-9
- Commande de pièces et dépannagePage arrière

ÍNDICE DE CONTENIDO

- Advertencias de seguridad para herramientas eléctrica 2-3
- Instrucciones de seguridad para sierra alternativa3
- Símbolos..... 4
- Características 5
- Armado 5
- Funcionamiento..... 5-7
- Mantenimiento 7
- Ilustraciones..... 8-9
- Pedidos de piezas y servicio Pág. posterior

⚠ WARNING:

To reduce the risk of injury, the user must read and understand the operator's manual before using this product.

⚠ AVERTISSEMENT :

Pour réduire les risques de blessures, l'utilisateur doit lire et veiller à bien comprendre le manuel d'utilisation avant d'utiliser ce produit.

⚠ ADVERTENCIA:

Para reducir el riesgo de lesiones, el usuario debe leer y comprender el manual del operador antes de usar este producto.

**SAVE THIS MANUAL
FOR FUTURE REFERENCE**

**CONSERVER CE MANUEL
POUR FUTURE RÉFÉRENCE**

**GUARDE ESTE MANUAL
PARA FUTURAS CONSULTAS**

GENERAL POWER TOOL SAFETY WARNINGS



WARNING

Read all safety warnings, instructions, illustrations and specifications provided with this power tool. Failure to follow all instructions listed below may result in electric shock, fire and/or serious injury.

Save all warnings and instructions for future reference. The term “power tool” in the warnings refers to your mains-operated (corded) power tool or battery-operated (cordless) power tool.

WORK AREA SAFETY

- **Keep work area clean and well lit.** Cluttered or dark areas invite accidents.
- **Do not operate power tools in explosive atmospheres, such as in the presence of flammable liquids, gases or dust.** Power tools create sparks which may ignite the dust or fumes.
- **Keep children and bystanders away while operating a power tool.** Distractions can cause you to lose control.

ELECTRICAL SAFETY

- **Power tool plugs must match the outlet. Never modify the plug in any way. Do not use any adapter plugs with earthed (grounded) power tools.** Unmodified plugs and matching outlets will reduce risk of electric shock.
- **Avoid body contact with earthed or grounded surfaces, such as pipes, radiators, ranges and refrigerators.** There is an increased risk of electric shock if your body is earthed or grounded.
- **Do not expose power tools to rain or wet conditions.** Water entering a power tool will increase the risk of electric shock.
- **Do not abuse the cord. Never use the cord for carrying, pulling or unplugging the power tool. Keep cord away from heat, oil, sharp edges or moving parts.** Damaged or entangled cords increase the risk of electric shock.
- **When operating a power tool outdoors, use an extension cord suitable for outdoor use.** Use of a cord suitable for outdoor use reduces the risk of electric shock.
- **If operating a power tool in a damp location is unavoidable, use a ground fault circuit interrupter (GFCI) protected supply.** Use of a GFCI reduces the risk of electric shock.
- **Use this product only with batteries and chargers listed in tool/appliance/battery pack/charger correlation supplement 987000-432.**

PERSONAL SAFETY

- **Stay alert, watch what you are doing and use common sense when operating a power tool. Do not use a power tool while you are tired or under the influence of drugs, alcohol or medication.** A moment of inattention while operating power tools may result in serious personal injury.
- **Use personal protective equipment. Always wear eye protection.** Protective equipment such as dust mask, non-

skid safety shoes, hard hat, or hearing protection used for appropriate conditions will reduce personal injuries.

- **Prevent unintentional starting. Ensure the switch is in the off-position before connecting to power source and/or battery pack, picking up or carrying the tool.** Carrying power tools with your finger on the switch or energizing power tools that have the switch on invites accidents.
- **Remove any adjusting key or wrench before turning the power tool on.** A wrench or a key left attached to a rotating part of the power tool may result in personal injury.
- **Do not overreach. Keep proper footing and balance at all times.** This enables better control of the power tool in unexpected situations.
- **Dress properly. Do not wear loose clothing or jewelry. Keep your hair, clothing and gloves away from moving parts.** Loose clothes, jewelry or long hair can be caught in moving parts.
- **If devices are provided for the connection of dust extraction and collection facilities, ensure these are connected and properly used.** Use of dust collection can reduce dust-related hazards.
- **Do not let familiarity gained from frequent use of tools allow you to become complacent and ignore tool safety principles.** A careless action can cause severe injury within a fraction of a second.
- **Do not wear loose clothing or jewelry.** Contain long hair. Loose clothes, jewelry, or long hair can be drawn into air vents.
- **Do not use on a ladder or unstable support.** Stable footing on a solid surface enables better control of the power tool in unexpected situations.

POWER TOOL USE AND CARE

- **Do not force the power tool. Use the correct power tool for your application.** The correct power tool will do the job better and safer at the rate for which it was designed.
- **Do not use the power tool if the switch does not turn it on and off.** Any power tool that cannot be controlled with the switch is dangerous and must be repaired.
- **Disconnect the plug from the power source and/or remove the battery pack, if detachable, from the power tool before making any adjustments, changing accessories, or storing power tools.** Such preventive safety measures reduce the risk of starting the power tool accidentally.
- **Store idle power tools out of the reach of children and do not allow persons unfamiliar with the power tool or these instructions to operate the power tool.** Power tools are dangerous in the hands of untrained users.
- **Maintain power tools and accessories. Check for misalignment or binding of moving parts, breakage of parts and any other condition that may affect the power tool's operation. If damaged, have the power tool repaired before use.** Many accidents are caused by poorly maintained power tools.
- **Keep cutting tools sharp and clean.** Properly maintained cutting tools with sharp cutting edges are less likely to bind and are easier to control.

GENERAL POWER TOOL SAFETY WARNINGS

- **Use the power tool, accessories and tool bits etc. in accordance with these instructions, taking into account the working conditions and the work to be performed.** Use of the power tool for operations different from those intended could result in a hazardous situation.
- **Keep handles and grasping surfaces dry, clean and free from oil and grease.** Slippery handles and grasping surfaces do not allow for safe handling and control of the tool in unexpected situations.

BATTERY TOOL USE AND CARE

- **Recharge only with the charger specified by the manufacturer.** A charger that is suitable for one type of battery pack may create a risk of fire when used with another battery pack.
- **Use power tools only with specifically designated battery packs.** Use of any other battery packs may create a risk of injury and fire.
- **When battery pack is not in use, keep it away from other metal objects, like paper clips, coins, keys, nails, screws or other small metal objects, that can make a connection from one terminal to another.** Shorting the battery terminals together may cause burns or a fire.
- **Under abusive conditions, liquid may be ejected from the battery; avoid contact. If contact accidentally**

occurs, flush with water. If liquid contacts eyes, additionally seek medical help. Liquid ejected from the battery may cause irritation or burns.

- **Do not use a battery pack or tool that is damaged or modified.** Damaged or modified batteries may exhibit unpredictable behavior resulting in fire, explosion or risk of injury.
- **Do not expose a battery pack or tool to fire or excessive temperature.** Exposure to fire or temperature above 265° F may cause explosion.
- **Follow all charging instructions and do not charge the battery pack or tool outside the temperature range specified in the instructions.** Charging improperly or at temperatures outside the specified range may damage the battery and increase the risk of fire.

SERVICE

- **Have your power tool serviced by a qualified repair person using only identical replacement parts.** This will ensure that the safety of the power tool is maintained.
- **Never service damaged battery packs.** Service of battery packs should only be performed by the manufacturer or authorized service providers.

SAFETY INSTRUCTIONS FOR RECIPROCATING SAWS




- **Hold the power tool by insulated gripping surfaces, when performing an operation where the cutting accessory may contact hidden wiring.** Cutting accessory contacting a “live” wire may make exposed metal parts of the power tool “live” and could give the operator an electric shock.
- **Use clamps or another practical way to secure and support the workpiece to a stable platform.** Holding the workpiece by hand or against your body leaves it unstable and may lead to loss of control.
- **Know your power tool. Read operator’s manual carefully. Learn its applications and limitations, as well as the specific potential hazards related to this power tool.** Following this rule will reduce the risk of electric shock, fire, or serious injury.
- **Always wear eye protection with side shields marked to comply with ANSI Z87.1 when assembling parts, operating the tool, or performing maintenance.** Following this rule will reduce the risk of serious personal injury.
- **Protect your lungs. Wear a face or dust mask if the operation is dusty.** Following this rule will reduce the risk of serious personal injury.
- **Protect your hearing. Wear hearing protection during extended periods of operation.** Following this rule will reduce the risk of serious personal injury.
- **Battery tools do not have to be plugged into an electrical outlet; therefore, they are always in**

operating condition. Be aware of possible hazards when not using your battery tool or when changing accessories. Following this rule will reduce the risk of electric shock, fire, or serious personal injury.







- **Do not place battery tools or their batteries near fire or heat.** This will reduce the risk of explosion and possibly injury.
- **Do not crush, drop or damage battery pack. Do not use a battery pack or charger that has been dropped or received a sharp blow.** A damaged battery is subject to explosion. Properly dispose of a dropped or damaged battery immediately.
- **Batteries can explode in the presence of a source of ignition, such as a pilot light.** To reduce the risk of serious personal injury, never use any cordless product in the presence of open flame. An exploded battery can propel debris and chemicals. If exposed, flush with water immediately.
- **Under extreme usage or temperature conditions, battery leakage may occur. If liquid comes in contact with your skin, wash immediately with soap and water. If liquid gets into your eyes, flush them with clean water for at least 10 minutes, then seek immediate medical attention.** Following this rule will reduce the risk of serious personal injury.
- **Save these instructions.** Refer to them frequently and use them to instruct others who may use this tool. If you loan someone this tool, loan them these instructions also.

SYMBOLS

The following signal words and meanings are intended to explain the levels of risk associated with this product.

SYMBOL	SIGNAL	MEANING
	DANGER:	Indicates a hazardous situation, which, if not avoided, will result in death or serious injury.
	WARNING:	Indicates a hazardous situation, which, if not avoided, could result in death or serious injury.
	CAUTION:	Indicates a hazardous situation, that, if not avoided, may result in minor or moderate injury.
	NOTICE:	(Without Safety Alert Symbol) Indicates information considered important, but not related to a potential injury (e.g. messages relating to property damage).

Some of the following symbols may be used on this product. Please study them and learn their meaning. Proper interpretation of these symbols will allow you to operate the product better and safer.

SYMBOL	NAME	DESIGNATION/EXPLANATION
	Safety Alert	Indicates a potential personal injury hazard.
	Read Operator's Manual	To reduce the risk of injury, user must read and understand operator's manual before using this product.
	Eye Protection	Always wear eye protection with side shields marked to comply with ANSI Z87.1.
	Wet Conditions Alert	Do not expose to rain or use in damp locations.
	No Hands Symbol	Failure to keep your hands away from the blade will result in serious personal injury.
	Recycle Symbol	This product uses lithium-ion (Li-ion) batteries. Local, state or federal laws may prohibit disposal of batteries in ordinary trash. Consult your local waste authority for information regarding available recycling and/or disposal options.
V	Volts	Voltage
min	Minutes	Time
==	Direct Current	Type or a characteristic of current
n_0	No Load Speed	Rotational speed, at no load
.../min	Per Minute	Revolutions, strokes, surface speed, orbits etc., per minute

FEATURES

PRODUCT SPECIFICATIONS

Stroke Length 1 in.
Strokes per minute (SPM) 0-3,400/min

ASSEMBLY

WARNING:

Do not use this product if it is not completely assembled or if any parts appear to be missing or damaged. Use of a product that is not properly and completely assembled or with damaged or missing parts could result in serious personal injury.

WARNING:

Do not attempt to modify this product or create accessories not recommended for use with this product. Any such alteration or modification is misuse and could result in a hazardous condition leading to possible serious personal injury.

If any parts are damaged or missing, please call 1-800-525-2579 for assistance.

OPERATION

WARNING:

Do not allow familiarity with products to make you careless. Remember that a careless fraction of a second is sufficient to inflict serious injury.

WARNING:

Always remove battery pack from your tool when you are assembling parts, making adjustments, cleaning, or when not in use. Removing battery pack will prevent accidental starting that could cause serious personal injury.

WARNING:

Always wear eye protection with side shields marked to comply with ANSI Z87.1. Failure to do so could result in objects being thrown into your eyes resulting in possible serious injury.

WARNING:

Do not use any attachments or accessories not recommended by the manufacturer of this product. The use of attachments or accessories not recommended can result in serious personal injury.

APPLICATIONS

You may use this product for the purposes listed below:

- Cutting all types of wood products (lumber, plywood, paneling, composition board, and hard wood)
- Cutting masonite and plastic
- Cutting drywall
- Cutting metals such as sheet steel, pipe, steel rods, aluminum, brass, and copper

WARNING:

Battery products are always in operating condition. Therefore, the switch should always be locked when not in use or carrying at your side.

SELECTING BLADES

Selecting the correct type of blade is important in order to obtain the best performance from the saw. Select the blade based on the application and on the material you wish to cut. Selecting the right blade will give you a smoother, faster cut and prolong the life of the blade.

Blades with fewer teeth, 10 teeth per inch (TPI) are typically used for cutting wood, while blades with more teeth are better for cutting metal or plastic. We recommend 14 TPI for plastics and soft metals and 18 TPI for hard metals.

OPERATION

TURNING THE SAW ON/OFF

See Figure 1, page 8.

The lock-off button, located on the handle above the switch trigger, reduces the possibility of accidental starting.

- **To turn the saw on:** Slide lock-off button to the unlocked position, and press the switch trigger.
- **To turn the saw off:** Release the switch trigger and return the lock-off button to the locked position.

CAUTION:

The lock-off button should be in the locked position when the saw is not in use or is being transported.

INSTALLING/REMOVING BATTERY PACK

See Figure 2, page 8.

To install:

- Lock the switch trigger by sliding the lock-off button into the locked position.
- Insert the battery pack into the product as shown.
- Make sure the latches on each side of the battery pack snap into place and the battery pack is secured before beginning operation.

To remove:

- Lock the switch trigger by sliding the lock-off button into the locked position.
- Depress the latches on each side of the battery pack and remove the battery pack from the tool.

For complete charging instructions, see the operator's manual for your battery pack and charger.

INSTALLING/REMOVING THE SAW BLADE

See Figure 3, page 9.

To install the blade:

- Remove the battery pack.
- Lift the blade clamp lever located on the side of the saw.
- Insert the saw blade into the blade clamp opening.
- Release the blade clamp lever to lock the blade into place.

To remove the blade:

- Remove the battery pack.
- Lift the release lever to release the blade from the blade clamp.

GENERAL CUTTING

See Figure 4, page 9.

WARNING:

Cutting into electrical wiring can cause the blade, the blade clamp, and the saw bar assembly to become electrically live. Do not touch metal parts when cutting into a wall; grasp only the insulated surfaces on the tool. Make sure hidden electrical wiring, water pipes, and mechanical hazards are not in the blade path when cutting into a wall.

WARNING:

Make sure the blade does not touch the workpiece until the motor reaches full speed, since this could cause loss of control resulting in serious injury.

- Secure the workpiece to a work bench or table with a vise or with clamps.
- Mark the line of cut clearly.
- Make sure the saw blade teeth are clean of any debris or foreign material.
- Hold the saw firmly in front of and clearly away from you.
- Slide the lock-off button to the unlocked position and depress the switch trigger.
- Allow the saw blade to reach full cutting speed.
- Set the shoe assembly against the workpiece.

NOTE: The shoe assembly of the reciprocating saw pivots up and down in both directions.

- Move the blade into the workpiece.

NOTE: Do not force. Use only enough pressure to keep the saw cutting. Let the blade and saw do the work. Keep pressure on the shoe, against the workpiece.

OPERATION

PLUNGE CUTTING

See Figure 5, page 9.

WARNING:

Blades longer than 6 in. can whip and should not be used for plunge cutting. Failure to heed this warning can result in serious personal injury.

WARNING:

Make sure the blade does not touch the workpiece until the motor reaches full speed, since this could cause loss of control resulting in serious injury.

- Choose a convenient starting point inside the cutting area and place the tip of the blade over that point.
- Rest the front edge of the shoe assembly on the workpiece and hold it firmly in position during the cut.
- Slide the lock-off button to the unlocked position and depress the switch trigger.
- Allow the saw blade to reach full cutting speed.
- Tilt the saw until the tip of the blade starts cutting the workpiece.
- Allow the blade to penetrate the workpiece.
- Tilt the saw until the shoe is resting on the material and the blade is perpendicular to the workpiece.

METAL CUTTING

See Figure 6, page 9.

You may cut metals such as sheet steel, pipe, steel rods, aluminum, brass, and copper with the saw.

Observe the following tips when metal cutting:

- Be careful not to twist or bend the saw blade.
- Do not force the tool and use a slow speed.
- Use cutting oil when cutting soft metals and steel. Cutting oil also keeps the blades cool, increases cutting action, and prolongs blade life.
- Never use gasoline since normal sparking of motor could ignite fumes.
- Clamp the workpiece firmly and cut close to the clamping point to eliminate any vibration of the work. When cutting conduit pipe or angle iron, clamp the workpiece in a vise if possible and cut close to the vise. To cut thin sheet material, “sandwich” the material between hardboard or plywood and clamp the layers to eliminate vibration and material tearing.
- Always keep firm pressure on the shoe assembly to hold it securely against the workpiece.

MAINTENANCE

WARNING:

When servicing use only identical replacement parts. Use of any other parts can create a hazard or cause product damage.

WARNING:

Always wear eye protection with side shields marked to comply with ANSI Z87.1. Failure to do so could result in objects being thrown into your eyes resulting in possible serious injury.

WARNING:

To avoid serious personal injury, always remove the battery pack from the tool when cleaning or performing any maintenance.

GENERAL MAINTENANCE

Avoid using solvents when cleaning plastic parts. Most plastics are susceptible to damage from various types of commercial solvents and may be damaged by their use. Use clean cloths to remove dirt, dust, oil, grease, etc.

WARNING:

Do not at any time let brake fluids, gasoline, petroleum-based products, penetrating oils, etc., come in contact with plastic parts. Chemicals can damage, weaken or destroy plastic which can result in serious personal injury.

**NOTE: ILLUSTRATIONS START ON
PAGE 8 AFTER
FRENCH AND SPANISH
LANGUAGE SECTIONS.**

AVERTISSEMENTS DE SÉCURITÉ GÉNÉRALES RELATIVES AUX OUTILS ÉLECTRIQUES



AVERTISSEMENT

Lire les avertissements de sécurité, les instructions et les précisions et consulter les illustrations fournis avec cet outil électrique. Le fait de ne pas se conformer à l'ensemble des consignes présentées ci-dessous risque d'entraîner des décharges électriques, un incendie et/ou des blessures graves.

Conservé les avertissements et les instructions à des fins de référence ultérieure. Le terme « outil motorisé », utilisé dans tous les avertissements ci-dessous désigne tout outil fonctionnant sur secteur (câblé) ou sur piles (sans fil).

SÉCURITÉ DU LIEU DE TRAVAIL

- **Garder le lieu de travail propre et bien éclairé.** Les endroits encombrés ou sombres sont propices aux accidents.
- **Ne pas utiliser d'outils électriques dans des atmosphères explosives, par exemple en présence de liquides, gaz ou poussières inflammables.** Les outils électriques produisent des étincelles risquant d'enflammer les poussières ou vapeurs.
- **Garder les enfants et badauds à l'écart pendant l'utilisation d'un outil électrique.** Les distractions peuvent causer une perte de contrôle.

SÉCURITÉ ÉLECTRIQUE

- **Les fiches des outils électriques doivent correspondre à la prise secteur utilisée. Ne jamais modifier la fiche, de quelque façon que ce soit. Ne jamais utiliser d'adaptateurs de fiche avec des outils mis à la terre.** Les fiches et prises non modifiées réduisent le risque de choc électrique.
- **Éviter tout contact du corps avec des surfaces mises à la terre, telles que tuyaux, radiateurs, cuisinières et réfrigérateurs.** Le risque de choc électrique est accru lorsque le corps est mis à la terre.
- **Ne pas exposer les outils électriques à l'eau ou l'humidité.** La pénétration d'eau dans ces outils accroît le risque de choc électrique.
- **Ne pas maltraiter le cordon d'alimentation. Ne jamais utiliser le cordon d'alimentation pour transporter l'outil et ne jamais débrancher ce dernier en tirant sur le cordon. Garder le cordon à l'écart de la chaleur, de l'huile, des objets tranchants et des pièces en mouvement.** Un cordon endommagé ou emmêlé accroît le risque de choc électrique.
- **Pour les travaux à l'extérieur, utiliser un cordon spécialement conçu à cet effet.** Utiliser un cordon conçu pour l'usage extérieur pour réduire les risques de choc électrique.
- **S'il est nécessaire d'utiliser l'outil électrique dans un endroit humide, employer un dispositif interrupteur de défaut à la terre (GFCI).** L'utilisation d'un GFCI réduit le risque de décharge électrique.
- **Utiliser ce produit seulement avec la piles et le chargeurs indiqués dans le supplément de raccordement pour chargeur/outils/piles/appareil n° 987000-432.**

SÉCURITÉ PERSONNELLE

- **Rester attentif, prêter attention au travail et faire preuve de bon sens lors de l'utilisation de tout outil électrique. Ne pas utiliser cet outil en état de fatigue ou sous l'influence de l'alcool, de drogues ou de médicaments.** Un moment d'inattention pendant l'utilisation d'un outil électrique peut entraîner des blessures graves.

- **Utiliser l'équipement de sécurité. Toujours porter une protection oculaire.** L'équipement de sécurité, tel qu'un masque filtrant, de chaussures de sécurité, d'un casque ou d'une protection auditive, utilisé dans des conditions appropriées réduira le risque de blessures.
- **Éviter les démarrages accidentels. S'assurer que le commutateur est en position d'arrêt avant de brancher l'outil.** Porter un outil avec le doigt sur son commutateur ou brancher un outil dont le commutateur est en position de marche peut causer un accident.
- **Retirer les clés de réglage avant de mettre l'outil en marche.** Une clé laissée sur une pièce rotative de l'outil peut causer des blessures.
- **Ne pas travailler hors de portée. Toujours se tenir bien campé et en équilibre.** Ceci permettra de mieux contrôler l'outil en cas de situation imprévue.
- **Porter une tenue appropriée. Ne porter ni vêtements amples, ni bijoux. Garder les cheveux, les vêtements et les gants à l'écart des pièces en mouvement.** Les vêtements amples, bijoux et cheveux longs peuvent se prendre dans les pièces en mouvement.
- **Si les outils sont équipés de dispositifs de dépoussiérage, s'assurer qu'ils sont connectés et correctement utilisés.** L'usage de ces dispositifs de dépoussiérage peut réduire les dangers présentés par la poussière.
- **Malgré votre expérience acquise par l'utilisation fréquente des outils, soyez toujours vigilant et respectez les principes de sécurité relatifs aux outils.** Il s'agit d'une fraction de seconde pour qu'un geste irréflecti puisse causer de graves blessures.
- **Ne porter ni vêtements amples, ni bijoux. Attacher ou couvrir les cheveux longs.** Les vêtements amples, bijoux et cheveux longs peuvent se prendre dans les ouïes d'aération.
- **Ne pas utiliser l'outil sur une échelle ou un support instable.** Une bonne tenue et un bon équilibre permettent de mieux contrôler l'outil en cas de situation imprévue.

UTILISATION ET ENTRETIEN DES OUTILS ÉLECTRIQUES

- **Ne pas forcer l'outil. Utiliser l'outil approprié pour l'application.** Un outil approprié exécutera le travail mieux et de façon moins dangereuse s'il est utilisé dans les limites prévues.
- **Ne pas utiliser l'outil si le commutateur ne permet pas de le mettre en marche ou de l'arrêter.** Tout outil qui ne peut pas être contrôlé par son commutateur est dangereux et doit être réparé.
- **Débrancher l'outil et/ou retirer le bloc-piles avant d'effectuer des réglages, de changer d'accessoire ou de remiser l'outil.** Ces mesures de sécurité préventives réduisent les risques de démarrage accidentel de l'outil.
- **Ranger les outils motorisés hors de la portée des enfants et ne laisser personne n'étant pas familiarisé avec l'outil ou ces instructions utiliser l'outil.** Dans les mains de personnes n'ayant pas reçu des instructions adéquates, les outils sont dangereux.
- **Entretien des outils motorisés. Vérifier qu'aucune pièce mobile n'est mal alignée ou bloquée, qu'aucune pièce n'est brisée et s'assurer qu'aucun autre problème ne risque d'affecter le bon fonctionnement de l'outil. En cas de dommages faire réparer l'outil avant de l'utiliser de nouveau.** Beaucoup d'accidents sont causés par des outils mal entretenus.
- **Garder les outils bien affûtés et propres.** Des outils correctement entretenus et dont les tranchants sont bien affûtés risquent moins de se bloquer et sont plus faciles à contrôler.

AVERTISSEMENTS DE SÉCURITÉ GÉNÉRALES RELATIVES AUX OUTILS ÉLECTRIQUES

- **Utiliser l'outil, les accessoires et embouts, etc. conformément à ces instructions pour les applications pour lesquelles ils sont conçus, en tenant compte des conditions et du type de travail à exécuter.** L'usage d'un outil motorisé pour des applications pour lesquelles il n'est pas conçu peut être dangereux.
- **Gardez les poignées et les surfaces de prise sèches, propres et exemptes d'huile et de graisse.** Des poignées et des surfaces de prise glissantes empêchent la manipulation et le contrôle sécuritaires de l'outil dans des circonstances imprévues.

UTILISATION ET ENTRETIEN DE LA PILE

- **Ne recharger qu'avec l'appareil spécifié par le fabricant.** Un chargeur approprié pour un type de pile peut créer un risque d'incendie s'il est utilisé avec un autre type de pile.
- **Utiliser exclusivement le bloc-pile spécifiquement indiqué pour l'outil.** L'usage de tout autre bloc peut créer un risque de blessures et d'incendie.
- **Lorsque le bloc-piles n'est pas en usage, le garder à l'écart d'articles tels qu'attaches trombones, pièces de monnaie, clous, vis ou autres petits objets métalliques risquant d'établir le contact entre les deux bornes.** La mise en court-circuit des bornes de piles peut causer des étincelles, des brûlures ou un incendie.
- **En cas d'usage abusif, du liquide peut s'échapper des piles. Éviter tout contact avec ce liquide. En cas de contact**

accidentel, rincer immédiatement les parties atteintes avec de l'eau. En cas d'éclaboussure dans les yeux consulter un médecin. Le liquide s'échappant des piles peut causer des irritations ou des brûlures.

- **Ne pas utiliser un bloc-piles ou un outil endommagé ou modifié.** Les piles endommagées ou modifiées peuvent produire un comportement imprévisible pouvant provoquer un incendie, une explosion ou des blessures.
- **Ne pas exposer le bloc-piles ou l'outil près d'un incendie ou à une température extrême.** L'exposition à un incendie ou à une température supérieure à 130 °C (265 °F) représente un risque d'explosion.
- **Suivre toutes les instructions afférentes à la recharge et ne pas recharger le bloc-piles ou l'outil hors des températures spécifiées dans les instructions.** Une recharge incorrecte ou hors des températures spécifiées peut endommager la pile et augmenter les risques de feu.

DÉPANNAGE

- **Les réparations doivent être confiées à un technicien qualifié, utilisant exclusivement des pièces identiques à celles d'origine.** Ceci assurera le maintien de la sécurité de l'outil.
- **Ne réparez jamais de blocs-piles endommagés.** Seuls le fabricant et les fournisseurs de service autorisés doivent effectuer la réparation ou l'entretien des blocs-piles.

INSTRUCTIONS DE SÉCURITÉ POUR LE SCIE ALTERNATIVE




- **Tenir l'outil par ses surfaces de préhension isolées lors des opérations pendant lesquelles l'accessoire de coupe peut entrer en contact avec du câblage caché.** Le contact d'un accessoire de coupe avec un fil sous tension « électrifie » les pièces métalliques exposées de l'outil et peut électrocuter l'utilisateur.
- **Utiliser des serre-joints ou un autre système approprié pour maintenir fermement la pièce sur une surface stable.** Une pièce tenue à la main ou contre son corps le rend instable et peut causer une perte de contrôle.
- **Apprendre à connaître l'outil. Lire attentivement le manuel d'utilisation. Apprendre les applications et les limites de l'outil, ainsi que les risques spécifiques relatifs à son utilisation.** Le respect de cette consigne réduira les risques d'incendie, de choc électrique et de blessures graves.
- **Toujours porter une protection oculaire munie d'écrans latéraux certifiée conforme à la norme ANSI Z87.1 lors du montage des pièces, du fonctionnement de l'outil ou au moment de l'entretien.** Le respect de cette règle réduira les risques de blessures graves.
- **Protection respiratoire. Porter un masque facial ou un masque antipoussière si le travail produit de la poussière.** Le respect de cette consigne réduira les risques de blessures graves.
- **Protection auditive. Porter une protection auditive lors de l'utilisation prolongée.** Le respect de cette règle réduira les risques de blessures graves.
- **Les outils fonctionnant sur piles n'ayant pas besoin d'être branchés sur une prise secteur, ils sont toujours en état de fonctionnement. Tenir compte des dangers possibles**

lorsque l'outil n'est pas en usage et lors du remplacement des piles. Le respect de cette consigne réduira les risques d'incendie, de choc électrique et de blessures graves.







- **Ne pas placer les outils électriques sans fil ou leurs piles à proximité de flammes ou d'une source de chaleur.** Ceci réduira les risques d'explosion et de blessures.
- **Ne pas écraser, faire tomber ou endommager le bloc-piles. Ne jamais utiliser un bloc-piles ou un chargeur qui est tombé, a été écrasé, a reçu un choc violent ou a été endommagé de quelque façon que ce soit.** Une pile endommagée risque d'exploser. Éliminer immédiatement toute pile endommagée, selon une méthode appropriée.
- **Les piles peuvent exploser en présence d'une source d'allumage, telle qu'une veilleuse.** Pour réduire les risques de blessures graves, ne jamais utiliser un appareil sans fil, quel qu'il soit, en présence d'une flamme vive. En explosant, une pile peut projeter des débris et des produits chimiques. En cas d'exposition, rincer immédiatement les parties atteintes avec de l'eau.
- **Si l'outil est utilisé de façon intensive ou sous des températures extrêmes, des fuites de pile peuvent se produire. En cas de contact du liquide avec la peau, rincer immédiatement la partie atteinte avec de l'eau. En cas d'éclaboussure dans les yeux, les rincer à l'eau fraîche pendant au moins 10 minutes, puis contacter immédiatement un médecin.** Le respect de cette règle réduira les risques de blessures graves.
- **Conserver ces instructions.** Les consulter fréquemment et les utiliser pour instruire les autres utilisateurs éventuels. Si cet outil est prêté, il doit être accompagné de ces instructions.

SYMBOLES

Les termes de mise en garde suivants et leur signification ont pour but d'expliquer le degré de risques associé à l'utilisation de ce produit.

SYMBOLE	SIGNAL	SIGNIFICATION
	DANGER :	Indique une situation dangereuse qui, si elle n'est pas évitée, aura pour conséquences des blessures graves ou mortelles.
	AVERTISSEMENT :	Indique une situation dangereuse qui, si elle n'est pas évitée, pourrait entraîner des blessures graves ou mortelles.
	ATTENTION :	Indique une situation dangereuse qui, si elle n'est pas évitée, pourrait entraîner des blessures légères ou de gravité modérée.
	AVIS :	(Sans symbole d'alerte de sécurité) Indique les informations jugées importantes sans toutefois représenter un risque de blessure (ex. : messages concernant les dommages matériels).

Certains des symboles ci-dessous peuvent être utilisés sur produit. Veiller à les étudier et à apprendre leur signification. Une interprétation correcte de ces symboles permettra d'utiliser produit plus efficacement et de réduire les risques.

SYMBOLE	NOM	DÉSIGNATION / EXPLICATION
	Symbole d'alerte de sécurité	Indique un risque de blessure potentiel.
	Lire manuel d'utilisation	Pour réduire les risques de blessures, l'utilisateur doit lire et veiller à bien comprendre le manuel d'utilisation avant d'utiliser ce produit.
	Protection oculaire	Toujours porter une protection oculaire avec écrans latéraux certifiée conforme à la norme ANSI Z87.1.
	Avertissement concernant l'humidité	Ne pas exposer à la pluie ou l'humidité.
	Symbole mains à l'écart	Le non-respect de cette mise en garde peut entraîner des blessures graves.
	Symbole de recyclage	Ce produit utilise les piles de lithium-ion (Li-ion). Les réglementations locales ou gouvernementales peuvent interdire de jeter les piles dans les ordures ménagères. Consulter les autorités locales compétentes pour les options de recyclage et/ou l'élimination.
V	Volts	Tension
min	Minutes	Temps
—	Courant continu	Type ou caractéristique du courant
n_0	Vitesse à vide	Vitesse de rotation à vide
.../min	Par minute	Tours, coups, vitesse périphérique, orbites, etc., par minute

CARACTÉRISTIQUES

FICHE TECHNIQUE

Course..... 25,4 mm (1 po)
Courses par minute (CPM)..... 0-3 400/min

ASSEMBLAGE

AVERTISSEMENT :

Ne pas utiliser le produit s'il n'est pas complètement assemblé ou si des pièces semblent manquantes ou endommagées. L'utilisation d'un produit dont l'assemblage est incorrect ou incomplet ou comportant des pièces endommagées ou absentes représente un risque de blessures graves.

AVERTISSEMENT :

Ne pas essayer de modifier cet outil ou de créer des pièces et accessoires non recommandés. De telles altérations ou modifications sont considérées comme un usage abusif et peuvent créer des conditions dangereuses, risquant d'entraîner des blessures graves.

Si des pièces manquent ou sont endommagées, veuillez appeler au 1-800-525-2579 pour obtenir de l'aide.

UTILISATION

AVERTISSEMENT :

Ne pas laisser la familiarité avec l'outil faire oublier la prudence. Ne pas oublier qu'une fraction de seconde d'inattention peut entraîner des blessures graves.

AVERTISSEMENT :

Toujours retirer la bloc-pile de l'outil au moment d'assembler des pièces, d'effectuer des réglages et de procéder au nettoyage, ou lorsque l'outil n'est pas utilisé. Si cette précaution n'est pas prise, des objets peuvent être projetés dans les yeux et causer des lésions graves.

AVERTISSEMENT :

Toujours porter une protection oculaire avec écrans latéraux certifiée conforme à la norme ANSI Z87.1. Si une opération dégage de la poussière, porter également un masque anti-poussière.

AVERTISSEMENT :

Ne pas utiliser d'outils ou accessoires non recommandés par le fabricant pour cet outil. L'utilisation de pièces et accessoires non recommandés peut entraîner des blessures graves.

APPLICATIONS

Cet produit peut être utilisé pour les applications ci-dessous :

- Coupe de tous types de produits du bois (planches, contre-plaqué, lambrisage, aggloméré et bois dur)
- Coupe de masonite et plastique
- Coupe de placoplâtre
- Coupe d'objets en métal tels que la tôle, les tuyaux, les tiges d'acier, l'aluminium, le laiton et le cuivre

AVERTISSEMENT :

Les outils à piles sont toujours en état de fonctionnement. Il est donc nécessaire de toujours verrouiller la gâchette lorsque l'outil n'est pas en usage et pendant son transport.

CHOIX DE LA LAME

Le choix d'une lame de type correct est essentiel pour obtenir les meilleurs résultats possibles avec la scie. La lame doit être choisie en fonction de l'application et du matériau à couper. Le choix d'une lame appropriée la coupe assure une coupe plus nette, plus rapide et prolonge la vie utile de la lame.

Les lames présentant un nombre réduit de dents (10 par pouce) sont généralement utilisées pour la coupe du bois, alors que celle présentant un plus grand nombre de dents sont préférables pour la coupe du métal ou du plastique. Nous recommandons l'usage de lames à 14 dents par pouce pour les plastiques et métaux tendres et à 18 dents par pouce pour les métaux durs.

UTILISATION

MISE EN MARCHÉ/ARRÊT DE LA SCIE

Voir la figure 1, page 8.

Cette scie est équipée d'un bouton de verrouillage se trouve sur la poignée, au-dessus de la gâchette pour réduire le risque de démarrage accidentel.

- **Pour mettre la scie en marche :** Glisser le bouton de verrouillage vers la position déverrouillage et appuyer sur la gâchette.
- **Pour arrêter la scie :** Relâcher l'interrupteur à gâchette et remettre le bouton de verrouillage en position de verrouillage.



ATTENTION :

Le bouton de verrouillage doit être en position verrouillée lorsque la scie n'est pas utilisée ou est transportée.

INSTALACIÓN/DESMONTAJE DEL PILE

Voir la figure 2, page 8.

Pour installer :

- Verrouiller l'interrupteur à gâchette en glissant le bouton de verrouillage en position de verrouillage.
- Insérer le piles dans le produit comme il est indiqué.
- S'assurer que ses deux loquets latéraux s'engagent correctement et vérifier que le bloc est solidement assujéti avant d'utiliser produit.

Pour retirer :

- Verrouiller l'interrupteur à gâchette en glissant le bouton de verrouillage en position de verrouillage.
- Relâcher les loquets pour retirer le bloc-piles et retirer le bloc-piles.

Pour prendre connaissance des consignes de chargement, consulter le manuel d'utilisation des piles et des chargeurs.

INSTALLATION/RETRAIT DE LA LAME

Voir la figure 3, page 9.

Pour installer de la lame :

- Retirer le pile.
- Soulever le levier de lame situé sur le côté de la scie.
- Insérer la lame de scie dans l'ouverture de la lame de scie.
- Relâcher le levier de lame pour verrouiller la lame en place.

Pour retirer de la lame :

- Retirer le bloc-pile.
- Soulever le levier de dégagement pour dégager la lame du collier de serrage.

SCIAGE GÉNÉRAL

Voir la figure 5, page 9.



AVERTISSEMENT :

La coupe accidentelle de câblage électriques peut mettre le support et la barre de lame de la scie sous tension. Lors de coupes dans des cloisons, ne pas toucher les parties métalliques de la scie, la tenir uniquement par les surfaces de prise isolées. Avant de couper dans une cloison, s'assurer de l'absence de câblage électrique, de tuyaux d'eau et autres obstacles dangereux sur la trajectoire de la scie.



AVERTISSEMENT :

S'assurer que la lame ne touche pas le matériau à couper avant que le moteur soit parvenu à pleine vitesse, ce qui pourrait causer une perte de contrôle et entraîner des blessures graves.

- Assujettir la pièce à couper sur un établi ou une table, au moyen d'un étau ou de serre-joint.
- Marquer clairement la ligne de coupe.
- S'assurer que la lame se trouve à l'écart de tout objet étranger.
- Tenir la scie fermement, bien à l'écart du corps.
- Glisser le bouton de verrouillage pour débloquer la position et appuyer sur la gâchette de vitesse variable.
- Attendre que la lame de la scie atteigne sa pleine vitesse de coupe.
- Placer la sabot contre la pièce.

NOTE : Le ensemble sabot de la scie alternative pivote vers le haut et vers le bas dans les deux directions.

- Engager la lame dans la pièce.

NOTE : Ne pas forcer. Exercer une pression juste suffisante pour que la lame coupe. Laisser lame et la scie effectuer le travail. Garder la base appuyée sur la pièce.

UTILISATION

COUPE PLONGEANTE

Voir la figure 6, page 9.

AVERTISSEMENT :

Les lames longues de plus de 152,4 mm (6 po) peuvent osciller. Elles ne doivent donc pas être utilisées pour les coupes plongées. Le non respect de cette mise en garde peut entraîner des blessures graves.

AVERTISSEMENT :

S'assurer que la lame ne touche pas le matériau à couper avant que le moteur soit parvenu à pleine vitesse, ce qui pourrait causer une perte de contrôle et entraîner des blessures graves.

- Choisir un point de départ commode à l'intérieur de la surface à couper et placer la pointe de la lame sur ce point.
- Appuyer le devant de la sabot sur la pièce et le maintenir fermement en position pendant toute la coupe.
- Glisser le bouton de verrouillage pour débloquer la position et appuyer sur la gâchette de vitesse variable. Appuyer sur la gâchette et laisser la lame parvenir à pleine vitesse.
- Laisser la lame de scie parvenir à sa vitesse de coupe maximum.
- Incliner la scie jusqu'à ce que la pointe de la lame entame la pièce.
- Laisser la lame pénétrer dans la pièce.
- Inclinez la scie jusqu'à ce que le sabot repose sur le matériau et que la lame soit perpendiculaire à la pièce.

COUPE DE MÉTAUX

Voir la figure 7, page 9.

La scie peut être utilisée pour couper des objets en métal tels que la tôle, les tuyaux, les tiges d'acier, l'aluminium, le laiton et le cuivre.

Pour la coupe de métaux, suivre les conseils ci-dessous :

- Veiller à ne pas tordre ou fléchir la lame.
- **Ne pas** forcer l'outil et utiliser une basse vitesse.
- Utiliser une huile de coupe pour le travail sur les métaux tendres et l'acier. Cette huile prolongera facilitera la coupe et gardera la lame fraîche, tout en prolongeant sa vie utile.
- **Ne jamais** utiliser à proximité d'essence, car les étincelles normalement produites par le moteur pourraient enflammer les vapeurs.
- Assujettir solidement la pièce et couper près du point de serrage pour éviter la vibration du matériau. Lors de la coupe de tuyaux ou de cornières, serrer la pièce dans un étau et couper le plus près possible du point de serrage. Pour la coupe des tôles minces, placer le matériau en « sandwich » entre deux planches et utiliser des serre-joint pour empêcher les vibrations et la déchirure du matériau.
- Toujours garder la sabot fermement appuyée sur la pièce.

ENTRETIEN

AVERTISSEMENT :

Utiliser exclusivement des pièces d'origine pour les réparations. L'usage de toute autre pièce pourrait créer une situation dangereuse ou endommager l'produit.

AVERTISSEMENT :

Toujours porter une protection oculaire certifiée conforme à la norme ANSI Z87.1. Si cette précaution n'est pas prise, des objets peuvent être projetés dans les yeux et causer des lésions graves.

AVERTISSEMENT :

Pour empêcher un démarrage accidentel pouvant entraîner des blessures graves, toujours retirer le piles de l'produit avant tout nettoyage ou entretien.

ENTRETIEN GÉNÉRAL

Éviter d'utiliser des solvants pour le nettoyage des pièces en plastique. La plupart des matières plastiques peuvent être endommagées par divers types de solvants du commerce. Utiliser un chiffon propre pour éliminer la saleté, la poussière, l'huile, la graisse, etc.

AVERTISSEMENT :

Ne jamais laisser de liquides tels que le fluide de freins, l'essence, les produits à base de pétrole, les huiles pénétrantes, etc., entrer en contact avec les pièces en plastique. Les produits chimiques peuvent endommager, affaiblir ou détruire le plastique, ce qui peut entraîner des blessures graves.

NOTE : ILLUSTRATIONS COMMENÇANT SUR 8 DE PAGE APRÈS LE SECTION ESPAGNOL.

ADVERTENCIAS DE SEGURIDAD PARA HERRAMIENTAS ELÉCTRICAS



ADVERTENCIA

Lea todas las advertencias, instrucciones, ilustraciones y especificaciones proporcionadas con esta herramienta eléctrica. No seguir las instrucciones indicadas a continuación puede provocar descargas eléctricas, incendios o lesiones graves.

Guarde todas las advertencias e instrucciones para consultarlas en el futuro. El término “herramienta eléctrica” en las advertencias se refiere a las herramientas eléctricas que funcionan con corriente (con cordón) o las que funcionan con batería (inalámbricas).

ÁREA DE TRABAJO

- **Mantenga limpia y bien iluminada el área de trabajo.** Un área de trabajo mal despejada o mal iluminada propicia accidentes.
- **No utilice herramientas motorizadas en atmósferas explosivas, como las existentes alrededor de líquidos, gases y polvos inflamables.** Las herramientas eléctricas generan chispas que pueden encender el polvo y los vapores inflamables.
- **Mantenga alejados a los niños y circunstantes al maniobrar una herramienta eléctrica.** Toda distracción puede causar la pérdida del control de la herramienta.

SEGURIDAD ELÉCTRICA

- **Las clavijas de las herramientas eléctricas deben corresponder a las tomas de corriente donde se conectan. Nunca modifique la clavija de ninguna forma. No utilice ninguna clavija adaptadora con herramientas eléctricas dotadas de contacto a tierra.** Conectando las clavijas originales en las tomas de corriente donde corresponden se disminuye el riesgo de una descarga eléctrica.
- **Evite el contacto del cuerpo con las superficies de objetos conectados a tierra, como las tuberías, radiadores, estufas y refrigeradores.** Existe un mayor riesgo de descargas eléctricas si el cuerpo está haciendo tierra.
- **No exponga las herramientas eléctricas a la lluvia ni a condiciones de humedad.** La introducción de agua en una herramienta eléctrica aumenta el riesgo de descargas eléctricas.
- **No maltrate el cordón eléctrico. Nunca utilice el cordón para trasladar, desconectar o tirar de la herramienta eléctrica. Mantenga el cordón lejos del calor, aceite, bordes afilados y piezas móviles.** Los cordones eléctricos dañados o enredados aumentan el riesgo de descargas eléctricas.
- **Al utilizar una herramienta eléctrica a la intemperie, use un cordón de extensión apropiado para el exterior.** Usando un cordón adecuado para el exterior se disminuye el riesgo de descargas eléctricas.
- **Si debe operar una herramienta en lugares húmedos, use un suministro protegido por un interruptor de circuito con pérdida a tierra (GFCI).** El uso de un GFCI reduce el riesgo de descargas eléctricas.
- **Usar este producto únicamente con la baterías y el cargadores indicados en el folleto de la herramienta/aparato/paquete de baterías/cargador complementario 987000-432.**

SEGURIDAD PERSONAL

- **Permanezca alerta, preste atención a lo que esté haciendo y aplique el sentido común al utilizar herramientas eléctricas. No utilice la herramienta eléctrica si está cansado o se encuentra bajo los efectos de alguna droga, alcohol o medicamento.** Un momento de inatención al utilizar una herramienta eléctrica puede causar lesiones corporales serias.
- **Utilice protección el equipo otros. Siempre póngase protección ocular.** El uso de equipo protector como mascarilla para el polvo, calzado de seguridad, casco y protección para los oídos en las circunstancias donde corresponda disminuye el riesgo de lesiones.

- **Evite que la herramienta se active accidentalmente. Asegúrese de que el interruptor esté en la posición de apagado antes de conectar la herramienta a un suministro de corriente o de colocar un paquete de baterías.** Transportar herramientas eléctricas con el dedo en el interruptor o enchufar herramientas eléctricas que tienen el interruptor encendido puede ocasionar accidentes.
- **Retire toda llave o herramienta de ajuste antes de encender la herramienta eléctrica.** Toda llave o herramienta de ajuste dejada en una pieza giratoria de la herramienta eléctrica puede causar lesiones.
- **No estire el cuerpo para alcanzar mayor distancia. Mantenga una postura firme y buen equilibrio en todo momento.** De esta manera se logra un mejor control de la herramienta eléctrica en situaciones inesperadas.
- **Vístase adecuadamente. No vista ropas holgadas ni joyas. Mantenga el cabello, la ropa y los guantes alejados de las piezas móviles.** Las ropas holgadas y las joyas, así como el cabello largo, pueden engancharse en las piezas móviles.
- **Si se suministran dispositivos para conectar mangueras de extracción y captación de polvo, asegúrese de que éstas estén bien conectadas y se usen correctamente.** El uso de la captación de polvo puede reducir los peligros relacionados con éste.
- **No permita que la familiaridad obtenida por el uso frecuente de las herramientas lo vuelva complaciente e ignore los principios de seguridad de las herramientas.** Una acción descuidada puede causar lesiones graves en una fracción de segundo.
- **No vista ropas holgadas ni joyas. Recójase el cabello si está largo.** Las ropas holgadas y las joyas, así como el cabello largo, pueden resultar atraídas hacia el interior de las aberturas de ventilación.
- **No utilice la unidad al estar en una escalera o en un soporte inestable.** Una postura estable sobre una superficie sólida permite un mejor control de la herramienta eléctrica en situaciones inesperadas.

EMPLEO Y CUIDADO DE LA HERRAMIENTA ELÉCTRICA

- **No fuerce la herramienta eléctrica. Utilice la herramienta eléctrica adecuada para cada trabajo.** La herramienta eléctrica adecuada efectúa mejor y de manera más segura el trabajo, si además se maneja a la velocidad para la que está diseñada.
- **No utilice la herramienta si el interruptor no enciende o no apaga.** Cualquier herramienta eléctrica que no pueda controlarse con el interruptor es peligrosa y debe repararse.
- **Desconecte el enchufe de la alimentación o retire el paquete de baterías, si es desmontable, de la herramienta eléctrica antes de realizar ajustes, cambiar accesorios o almacenar herramientas eléctricas.** Tales medidas preventivas de seguridad reducen el riesgo de poner en marcha accidentalmente la herramienta.
- **Guarde las herramientas eléctricas desocupadas fuera del alcance de los niños y no permita que las utilicen personas no familiarizadas con las mismas o con estas instrucciones.** Las herramientas eléctricas son peligrosas en manos de personas no capacitadas en el uso de las mismas.
- **Mantenimiento de las herramientas eléctricas y accesorios. Revise para ver si hay desalineación o atoramiento de piezas móviles, ruptura de piezas o toda otra condición que pueda afectar el funcionamiento de la herramienta eléctrica. Si está dañada la herramienta eléctrica, permita que la reparen antes de usarla.** Numerosos accidentes son causados por herramientas eléctricas mal cuidadas.
- **Mantenga las herramientas de corte afiladas y limpias.** Las herramientas de corte bien cuidadas y con bordes bien afilados,

ADVERTENCIAS DE SEGURIDAD PARA HERRAMIENTAS ELÉCTRICAS

tienen menos probabilidad de atascarse en la pieza de trabajo y son más fáciles de controlar.

- **Use la herramienta eléctrica, los accesorios, las brocas, etc. según estas instrucciones, teniendo en cuenta las condiciones de trabajo y la tarea que se va a realizar.** Si se utiliza la herramienta eléctrica para operaciones diferentes de las indicadas podría originar una situación peligrosa.
- **Mantenga los mangos y superficies de agarre limpias y libres de aceite y grasa.** Los mangos y superficies de agarre resbalosas no permiten la manipulación y control seguro de la herramienta en situaciones inesperadas.

EMPLEO Y CUIDADO DE LA HERRAMIENTA DE BATERÍAS

- **Sólo cargue el paquete de baterías con el cargador especificado por el fabricante.** Un cargador adecuado para un tipo paquete de baterías puede significar un riesgo de incendio si se emplea con un paquete de baterías diferente.
- **Utilice las herramientas eléctricas sólo con los paquetes de baterías específicamente indicados.** El empleo de paquetes de baterías diferentes puede presentar un riesgo de incendio.
- **Cuando no esté utilizándose el paquete de baterías, manténgalo lejos de otros objetos metálicos, como clips, monedas, llaves, clavos, tornillos o otros objetos metálicos, pequeños que puedan establecer conexión entre ambas terminales.** Establecer una conexión directa entre las dos terminales de las baterías puede causar quemaduras o incendios.

- **Si se maltratan las baterías, puede derramarse líquido de las mismas; evite todo contacto con éste. En caso de contacto, lávese con agua. Si el líquido llega a tocar los ojos, además busque atención médica.** El líquido de las baterías puede causar irritación y quemaduras.
- **No utilice un paquete de baterías o una herramienta que esté dañado o modificado.** Las baterías dañadas o modificadas pueden tener un funcionamiento impredecible que provoque incendios, explosiones o riesgo de lesiones.
- **No exponga el paquete de baterías o una herramienta al fuego o a temperaturas excesivas.** La exposición al fuego o a temperatura sobre los 130 °C (265 °F) puede provocar explosiones.
- **Siga todas las instrucciones de carga y no cargue el paquete de baterías ni la herramienta fuera del rango de temperaturas especificado en las instrucciones.** Si realiza la carga en forma incorrecta o fuera de las temperaturas del rango especificado puede dañar la batería y aumentar el riesgo de incendios.

SERVICIO

- **Permita que un técnico de reparación calificado preste servicio a la herramienta eléctrica, y sólo con piezas de repuesto idénticas.** De esta manera se mantiene la seguridad de la herramienta eléctrica.
- **Nunca repare paquetes de baterías dañados.** La reparación de paquetes de baterías solo puede ser realizada por el fabricante o proveedores de servicio autorizados.

INSTRUCCIONES DE SEGURIDAD PARA SIERRA ALTERNATIVA




- **Sujete las herramientas eléctricas por las superficies aisladas al efectuar una operación en la cual la herramienta de corte pueda entrar en contacto con cables ocultos.** Todo contacto de una herramienta con un cable cargado carga las piezas metálicas expuestas de la herramienta y da una descarga eléctrica al operador.
- **Utilice prensas o cualquier otro medio práctico de asegurar y sostener la pieza de trabajo en una plataforma segura.** Sostener la pieza con la mano o contra el cuerpo es inestable y puede causar una pérdida de control.
- **Familiarícese con su herramienta eléctrica. Lea cuidadosamente el manual del operador. Aprenda sus usos y limitaciones, así como los posibles peligros específicos de esta herramienta eléctrica.** Con el cumplimiento de esta regla se reduce el riesgo de una descarga eléctrica, incendio o lesión seria.
- **Siempre use protección ocular con laterales protectores con la marca de cumplimiento con la norma ANSI Z87.1 al ensamblar piezas, utilizar la herramienta o llevar a cabo tareas de mantenimiento.** Con el cumplimiento de esta regla se reduce el riesgo de lesiones corporales serias.
- **Protéjase los pulmones. Use una careta o mascarilla contra el polvo si la operación genera mucho polvo.** Con el cumplimiento de esta regla se reduce el riesgo de lesiones serias.
- **Protéjase los oídos. Durante períodos prolongados de utilización del producto, póngase protección para los oídos.** Con el cumplimiento de esta regla se reduce el riesgo de lesiones corporales serias.
- **No se necesita conectar a una toma de corriente las herramientas de baterías; por lo tanto, siempre están en**

condiciones de funcionamiento. Esté consciente de los posibles peligros cuando no esté usando la herramienta de baterías o cuando esté cambiando los accesorios de la misma. Con el cumplimiento de esta regla se reduce el riesgo de una descarga eléctrica, incendio o lesión corporal seria.







- **No coloque herramientas de baterías ni las baterías mismas cerca del fuego o del calor.** De esta manera se reduce el riesgo de explosiones y de lesiones.
- **No aplaste, deje caer o dañe de baterías. Nunca utilice una batería o cargador que se ha caído, aplastado, recibido un golpe contundente o ha sido dañado(a) de alguna manera.** Las baterías dañadas pueden sufrir explosiones. Deseche de inmediato toda batería que haya sufrido una caída o cualquier daño.
- **Las baterías pueden explotar en presencia de fuentes de inflamación, como los pilotos de gas.** Para reducir el riesgo de lesiones serias, nunca use un producto inalámbrico en presencia de llamas expuestas. La explosión de una batería puede lanzar fragmentos y compuestos químicos. Si ha quedado expuesto a la explosión de una batería, lávese de inmediato con agua.
- **En condiciones extremas de uso o temperatura las baterías pueden emanar líquido. Si el líquido llega a tocarle la piel, lávese de inmediato con agua y jabón. Si le entra líquido en los ojos, láveselos con agua limpia por lo menos 10 minutos, y después busque de inmediato atención médica.** Con el cumplimiento de esta regla se reduce el riesgo de lesiones corporales serias.
- **Guarde estas instrucciones.** Consúltelas con frecuencia y empléelas para instruir a otras personas que puedan utilizar esta herramienta. Si presta a alguien esta herramienta, facilítele también las instrucciones.

SÍMBOLOS

Las siguientes palabras de señalización y sus significados tienen el objeto de explicar los niveles de riesgo relacionados con este producto.

SÍMBOLO	SEÑAL	SIGNIFICADO
	PELIGRO:	Indica una situación peligrosa, la cual, si no se evita, causará la muerte o lesiones serias.
	ADVERTENCIA:	Indica una situación peligrosa, la cual, si no se evita, podría causar la muerte o lesiones serias.
	PRECAUCIÓN:	Indica una situación peligrosa, la cual, si no se evita, podría causar lesiones menores o leves.
	AVISO:	(Sin el símbolo de alerta de seguridad) Indica la información que se considera importante, pero no relacionada con lesiones potenciales (por ej. en relación a daños a la propiedad).

Es posible que se empleen en este producto algunos de los siguientes símbolos. Le suplicamos estudiarlos y aprender su significado. Una correcta interpretación de estos símbolos le permitirá utilizar mejor y de manera más segura el producto.

SÍMBOLO	NOMBRE	DENOMINACIÓN/EXPLICACIÓN
	Alerta de seguridad	Indica un peligro posible de lesiones personales.
	Lea el manual del operador	Para reducir el riesgo de lesiones, el usuario debe leer y comprender el manual del operador antes de usar este producto.
	Protección ocular	Siempre póngase protección ocular con protección lateral con la marca de cumplimiento de la norma ANSI Z87.1.
	Alerta de condiciones húmedas	No exponga la unidad a la lluvia ni la use en lugares húmedos.
	Símbolo de no acercar las manos	Si no mantiene las manos alejadas de la hoja de corte, se causará serias lesiones corporales.
	Símbolo de reciclado	Este producto utiliza baterías de iones de litio (Li-ion). Es posible que algunas leyes municipales, estatales o federales prohíban desechar las baterías en la basura normal. Consulte a las autoridades reguladoras de desechos para obtener información en relación con las alternativas de reciclado y desecho disponibles.
V	Volts	Voltaje
min	Minutos	Tiempo
==	Corriente continua	Tipo o característica de corriente
n ₀	Velocidad en vacío	Velocidad de rotación, en vacío
.../min	Por minuto	Revoluciones, carreras, velocidad superficial, órbitas, etc., por minuto

CARACTERÍSTICAS

ESPECIFICACIONES DEL PRODUCTO

Longitud de la carrera 25,4 mm (1,0 pulg.)
Carreras por minuto (CPM) 3 400/min

ARMADO

ADVERTENCIA:

No use este producto si no está totalmente ensamblado o si alguna pieza falta o está dañada. El uso de un producto que no está adecuadamente y completamente ensamblado o posee partes dañadas o faltantes puede resultar en lesiones personales graves.

ADVERTENCIA:

No intente modificar este producto ni crear aditamentos o accesorios que no estén recomendados para usar con este producto. Dichas alteraciones o modificaciones constituyen un uso indebido y podrían provocar una situación de riesgo que cause posibles lesiones personales graves.

Si hay piezas dañadas o faltantes, le suplicamos llamar al 1-800-525-2579.

FUNCIONAMIENTO

ADVERTENCIA:

No permita que su familiarización con las herramientas lo vuelva descuidado. Tenga presente que un descuido de un instante es suficiente para causar una lesión grave.

ADVERTENCIA:

Siempre retire el paquete de baterías de la herramienta cuando esté ensamblando partes, realizando ajustes, limpiando o cuando ésta no esté en uso. Retirando el paquete de baterías se evita arrancar accidentalmente la unidad, lo cual puede causar lesiones serias.

ADVERTENCIA:

Siempre póngase protección ocular con protección lateral con la marca de cumplimiento de la norma ANSI Z87.1. Si no cumple esta advertencia, los objetos que salen despedidos pueden producirle lesiones serias en los ojos.

ADVERTENCIA:

No utilice ningún aditamento o accesorio no recomendado por el fabricante de esta producto. El empleo de aditamentos o accesorios no recomendados podría causar lesiones serias.

APLICACIONES

Este producto puede emplearse para los fines siguientes:

- Corte de todos tipos de productos de madera (tablas, madera contrachapada, paneles, madera aglomerada y madera dura)
- Corte de masonite y plásticos
- Corte de paneles de yeso
- Corte de metales como lámina de acero, tubos, barras de acero, aluminio, bronce y cobre

ADVERTENCIA:

Las producto de baterías siempre están en condiciones de funcionamiento. Por lo tanto, el interruptor siempre debe encontrarse asegurado cuando la producto no esté en uso o cuando el operador no la lleve a su lado.

SELECCIÓN DE LAS HOJAS

Es importante seleccionar una hoja de tipo correcto con el fin de lograr un desempeño óptimo de la sierra. Debe seleccionarse la hoja según el uso y el material deseados. Si se selecciona una hoja adecuada se logra un corte más limpio y rápido, así como una vida de servicio más prolongada de la hoja de corte.

Las hojas con menos dientes, o sea 10 dientes por pulgada (DPP), se usan normalmente para cortar madera, mientras que aquéllas con más dientes son mejores para cortar metal o plástico. Para plásticos y metales suaves recomendamos las de 14 DPP, y para metales duros, las de 18 DPP.

FUNCIONAMIENTO

APAGADO Y ENCENDIDO DE LA SIERRA

Vea la figura 1, página 8.

El botón del seguro de apagado se encuentra en el mango, arriba del gatillo del interruptor y el cual reduce la posibilidad de un arranque accidental.

- **Para encender la sierra:** Deslice el botón del seguro de apagado hasta la posición de “unlock” y oprima el gatillo del interruptor.
- **Para apagar la sierra:** Suelte el interruptor y vuelva a colocar el botón del seguro en la posición de bloqueo.



PRECAUCIÓN:

El botón del seguro de apagado debe estar en la posición de asegurado cuando la sierra no está siendo utilizada o al ser transportada.

INSTALACIÓN/DESMONTAR DEL PAQUETE DE BATERÍAS

Vea la figura 2, página 8.

Para instalarla:

- Bloquee el gatillo del interruptor deslizando el botón de desbloqueo hasta la posición de bloqueo.
- Coloque el paquete de baterías en el producto como se muestra.
- Asegúrese de que los pestillos situados a ambos lados del paquete de baterías entren completamente en su lugar con un chasquido y de que el paquete quede bien asegurado en la herramienta antes de comenzar a utilizarla.

Para retirarla:

- Bloquee el gatillo del interruptor deslizando el botón de desbloqueo hasta la posición de bloqueo.
- Oprima los pestillos para extraer el paquete de baterías y retire el paquete de baterías.

Para obtener instrucciones específicas de carga, lea el manual del operador que se incluye con el cargador y la batería.

MONTAJE Y DESMONTAJE LA HOJA

Vea la figura 3, página 9.

Para instalarla la hoja:

- Retire el paquete de baterías.
- Levante la palanca de mordaza de la hoja ubicada a un lado de la sierra.
- Inserte la hoja de la sierra en la abertura de la mordaza de la hoja.
- Suelte la palanca de mordaza de la hoja para bloquearla en su lugar.

Para retirarla la hoja:

- Retire el paquete de baterías.
- Levante la palanca de liberación para liberar la hoja de la mordaza para ajustar hojas.

CORTES GENERALES

Vea la figura 4, página 9.



ADVERTENCIA:

Si se cortan cables eléctricos pueden cargarse eléctricamente la hoja, la mordaza de la hoja y el conjunto de la barra de la sierra. No toque piezas metálicas de la herramienta al cortar una pared; sólo sujete las superficies de sujeción aisladas de la herramienta. Al cortar una pared, asegúrese de que no haya cables eléctricos ocultos, tubos hidráulicos y peligros mecánicos en el trayecto de la hoja de corte.



ADVERTENCIA:

Asegúrese de que la hoja no toque la pieza de trabajo hasta que el motor alcance toda su velocidad, ya que de lo contrario puede originarse una pérdida de control y posibles lesiones serias.

- Asegure la pieza de trabajo en un banco o mesa de trabajo con una prensa fija o varias de mano.
- Marque claramente la línea de corte.
- Asegúrese de que la hoja de la sierra esté lejos de todo objeto extraño.
- Sostenga firmemente la sierra al frente y bien alejada de usted.
- Deslice el botón del seguro de apagado hasta la posición de desasegurar y oprima el gatillo para comenzar a cortar.
- Permita a la hoja alcanzar su velocidad de corte máxima.
- Ponga el conjunto de la zapata contra la pieza de trabajo.
NOTA: El conjunto de la base de la sierra alternativa pivotea en ambas direcciones, hacia arriba y hacia abajo.
- Avance la hoja y comience a cortar la pieza de trabajo.
NOTA: No fuerce. Aplique sólo la presión suficiente para mantener la sierra cortando. Permita que la hoja y la sierra realicen el trabajo. Mantenga la presión de la base contra la pieza de trabajo.

FUNCIONAMIENTO

CORTES DE PENETRACIÓN

Vea la figura 5, página 9.

ADVERTENCIA:

Asegúrese de que la hoja no toque la pieza de trabajo hasta que el motor alcance toda su velocidad, ya que de lo contrario puede originarse una pérdida de control y posibles lesiones serias.

ADVERTENCIA:

Las hojas de una longitud superior a 152,4 mm (6 pulg.) pueden latigear, por lo cual debe evitarse utilizarlas para corte por penetración. La inobservancia de esta advertencia puede causar lesiones serias.

- Escoja un punto inicial conveniente dentro del área de corte y coloque la punta de la hoja encima de ese punto.
- Deje descansar el borde frontal del conjunto de la zapata sobre la pieza de trabajo y mantenga la base firmemente en su lugar durante el corte.
- Deslice el botón del seguro de apagado hasta la posición de desasegurar y oprima el gatillo para comenzar a cortar.
- Permita a la hoja alcanzar su velocidad de corte máxima.
- Incline hacia abajo la sierra hasta que la punta de la hoja comience a cortar la pieza de trabajo.
- Permita que la sierra penetre en la pieza de trabajo.
- Incline la sierra hasta que la zapata esté apoyada en el material y la hoja esté perpendicular a la pieza de trabajo.

CORTE DE METALES

Vea la figura 6, página 9.

Con la sierra pueden cortarse metales como lámina de acero, tubos, barras de acero, aluminio, bronce y cobre.

Al cortar metal observe las siguientes sugerencias:

- Tenga cuidado de no torcer o doblar la hoja de la sierra.
- **No** fuerce la herramienta y póngala en una velocidad baja.
- Utilice aceite para cortar al cortar metales suaves y acero. El aceite para cortar mantiene frías las hojas, aumenta la eficacia del corte y prolonga la vida de servicio de las hojas.
- **Nunca** utilice gasolina, ya que el chispeo normal del motor puede inflamar las emanaciones de la misma.
- Sujete firmemente la pieza de trabajo con prensas, y corte cerca del punto de sujeción para eliminar toda vibración posible de la pieza. Al cortar tubo conduit, así como tubo o ángulo de hierro, sujete la pieza de trabajo en una prensa de banco si es posible y corte cerca de la prensa. Para cortar material en forma de lámina delgada, “emparédelo” entre dos paneles de madera prensada o contrachapada y sujete las capas con prensas para eliminar la vibración y el desgarramiento del material.
- Siempre mantenga una presión firme de la conjunto de la zapata contra la pieza de trabajo.

MANTENIMIENTO

ADVERTENCIA:

Al dar servicio a la unidad, sólo utilice piezas de repuesto idénticas. El empleo de piezas diferentes puede causar un peligro o dañar el producto.

ADVERTENCIA:

Siempre póngase protección ocular con protección lateral con la marca de cumplimiento de la norma ANSI Z87.1. Si no cumple esta advertencia, los objetos que salen despedidos pueden producirle lesiones serias en los ojos.

ADVERTENCIA:

Para evitar lesiones corporales serias, siempre retire el paquete de baterías de la herramienta al limpiarla o darle mantenimiento.

MANTENIMIENTO GENERAL

Evite el empleo de solventes al limpiar piezas de plástico. La mayoría de los plásticos son susceptibles a diferentes tipos de solventes comerciales y pueden resultar dañados. Utilice paños limpios para eliminar la suciedad, el polvo, el aceite, la grasa, etc.

ADVERTENCIA:

No permita en ningún momento que fluidos para frenos, gasolina, productos a base de petróleo, aceites penetrantes, etc., lleguen a tocar las piezas de plástico. Las sustancias químicas pueden dañar, debilitar o destruir el plástico, lo cual a su vez puede producir lesiones corporales serias.

P519

- A - Saw blade (lame de scie, hoja de la sierra)
- B - Blade clamp lever (levier de lame, palanca de la mordaza de la hoja)
- C - Variable speed switch trigger (gâchette de commande de vitesse variable, interruptor de velocidad variable)
- D - Lock-off button (bouton de verrouillage, botón del seguro de apagado)

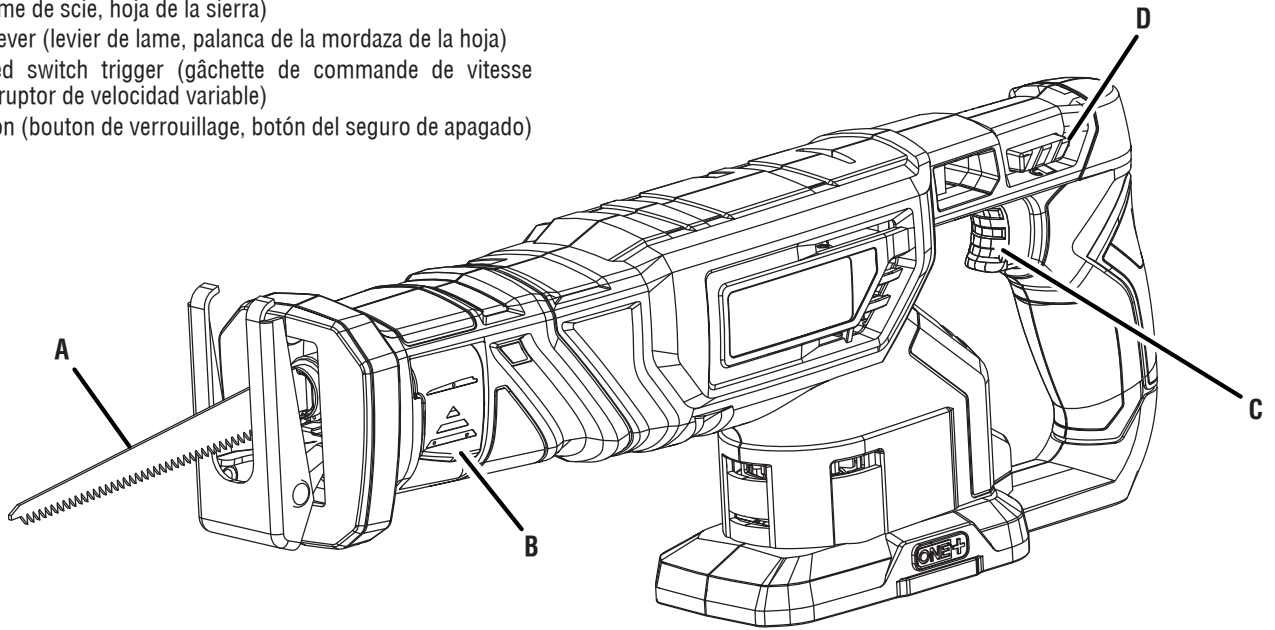
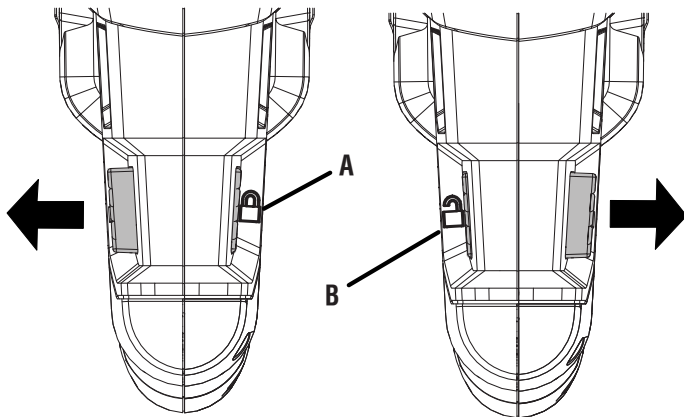


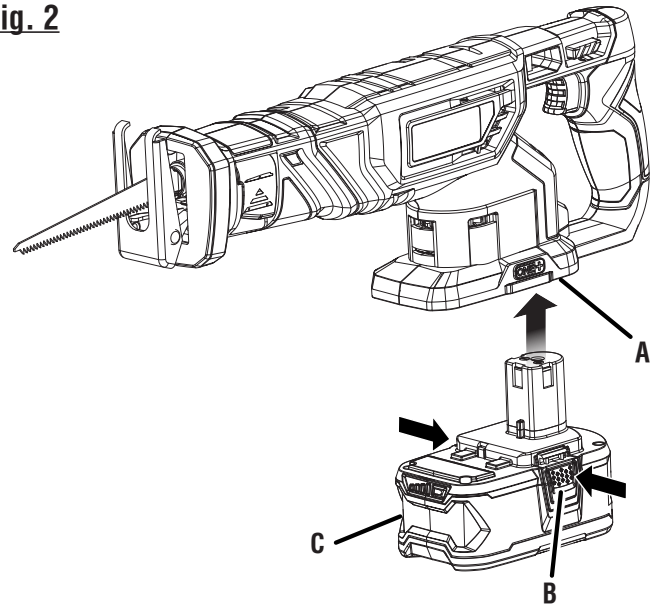
Fig. 1

**LOCK-OFF BUTTON
BOUTON DE VERROUILLAGE
BOTÓN DEL SEGURO DE APAGADO**



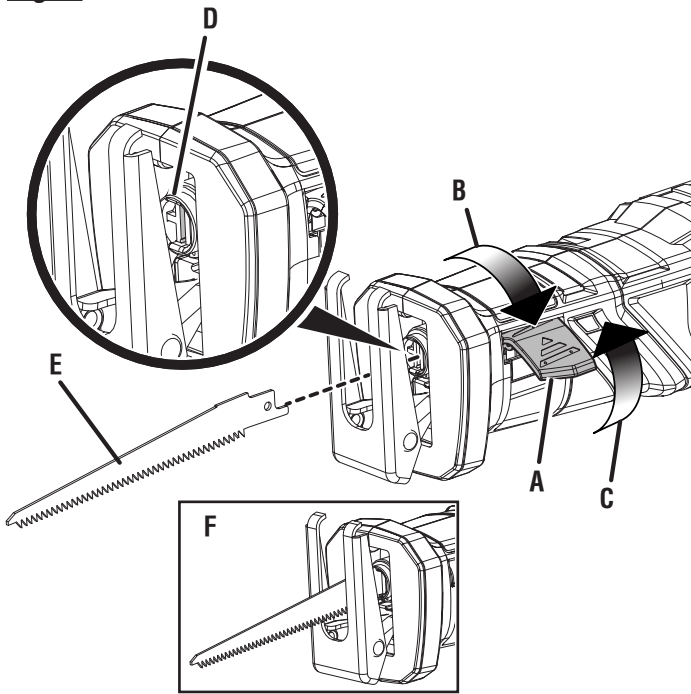
- A - Locked position (position verrouillée, posición de bloqueo)
- B - Unlocked position (position déverrouillée, posición de desbloqueo)

Fig. 2



- A - Battery port (logement de piles, receptáculo de las baterías)
- B - Latch(es) [loquet(s), pestillo(s)]
- C - Battery pack (bloc-pile, paquete de batería)

Fig. 3



- A - Blade clamp lever (levier de lame, palanca de la mordaza de la hoja)
- B - To lock (pour verrouiller, para asegurar)
- C - To unlock (pour déverrouiller, para desbloquear)
- D - Blade clamp (porte-lame, mordaza de la hoja)
- E - Blade (lame, hoja)
- F - Blade shown correctly installed in saw bar (lame correctement installée dans la barre de la scie, la hoja aparece montada correctamente en la barra de la sierra)

Fig. 4

**GENERAL CUTTING
COUPE GÉNÉRAL
CORTES GENERALES**

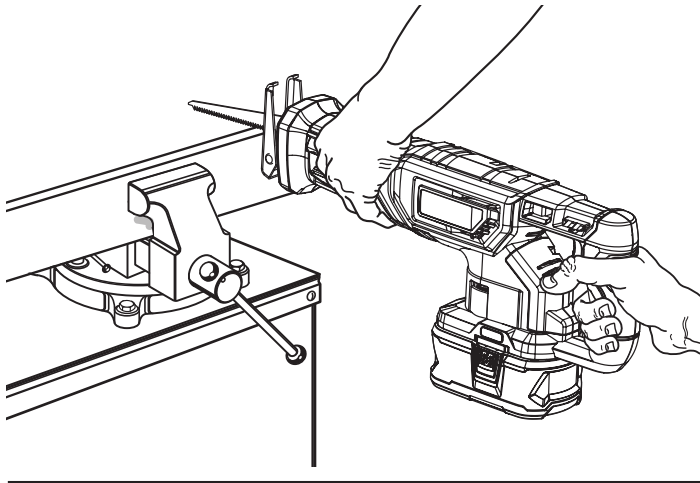


Fig. 5

**PLUNGE CUTTING
COUPE PLONGEANTE
CORTES DE PENETRACIÓN**

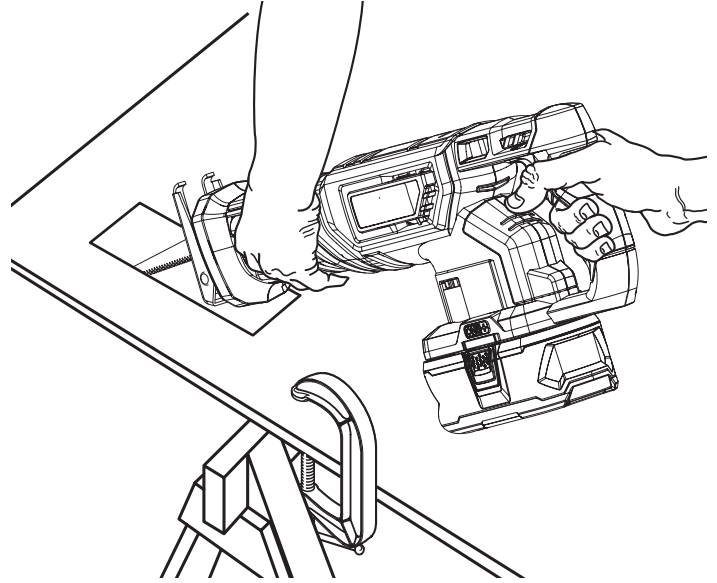
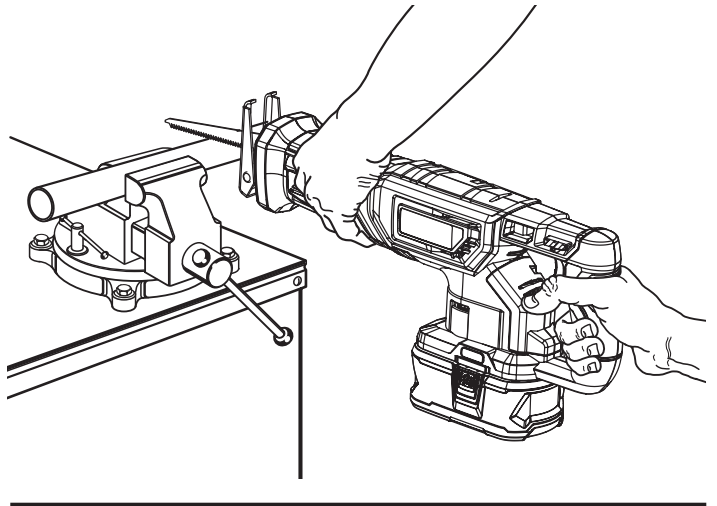


Fig. 6

**METAL CUTTING
COUPE DE MÉTAUX
CORTES DE METALES**





OPERATOR'S MANUAL/18 VOLT RECIPROCATING SAW
MANUEL D'UTILISATION/SCIE ALTERNATIVE 18 V
MANUAL DEL OPERADOR/SIERRA ALTERNATIVA DE 18 V

P519

To request service, purchase replacement parts,
locate an Authorized Service Center or obtain Customer or Technical Support:
Visit **www.ryobitools.com** or call **1-800-525-2579**

If any parts or accessories are damaged or missing, do not return this product to the store.
Call **1-800-525-2579** for immediate service.

Please obtain your model and serial number from the product data plate.
This product is covered under a 3-year limited Warranty. Proof of purchase is required.

MODEL NUMBER* _____ SERIAL NUMBER _____

**Model number on product may have additional letters at the end. These letters designate manufacturing information and should be provided when calling for service.*

RYOBI is a registered trademark of Ryobi Limited and is used pursuant to a license granted by Ryobi Limited.

Pour faire une demande de réparations ou obtenir des pièces de rechange, trouver un
Centre de réparations agréé pour obtenir un soutien technique ou le Service à la clientèle :
Visiter **www.ryobitools.com** ou en téléphonant au **1-800-525-2579**

Si des pièces ou accessoires sont manquantes ou endommagées, ne pas retourner
ce produit au magasin. Appeler immédiatement au **1-800-525-2579** pour obtenir de l'aide.

Inscrire les numéros de modèle et de série inscrits sur la plaque d'identification du produit.
Ce produit est couvert par une garantie limitée de trois (3) ans. Une preuve d'achat est exigée.

NUMÉRO DE MODÈLE* _____ NUMÉRO DE SÉRIE _____

**Le numéro de modèle sur le produit peut contenir des lettres supplémentaires à la fin. Ces lettres désignent les informations du fabricant et doivent être fournies lors d'un appel de demande de service.*

RYOBI est une marque déposée de Ryobi Limited et est utilisée en vertu d'une licence accordée par Ryobi Limited.

Para obtener servicio, comprar piezas de repuesto, localizar un centro
de servicio autorizado y obtener Servicio o Asistencia Técnica al Consumidor:
Visite **www.ryobitools.com** o llame al **1-800-525-2579**

Si hay alguna pieza ou accesorios dañada o faltante, no devuelva este producto a la tienda.
Llame al **1-800-525-2579** para servicio técnico inmediato.

Obtenga su modelo y número de serie de la placa de datos del producto.
Este producto está cubierto con una garantía limitada de 3 años. Se solicita prueba de la compra.

NÚMERO DE MODELO* _____ NÚMERO DE SERIE _____

**El número de modelo que figura en el producto podría tener letras adicionales al final. Estas designan información de fabricación y deben suministrarse cuando llame para obtener asistencia o servicio.*

RYOBI es una marca registrada de Ryobi Limited y se utiliza conforme a una licencia otorgada por Ryobi Limited.

ONE WORLD TECHNOLOGIES, INC.

P.O. Box 1288, Anderson, SC 29622 • Phone 1-800-525-2579
États-Unis, Téléphone 1-800-525-2579 • USA, Teléfono 1-800-525-2579

www.ryobitools.com