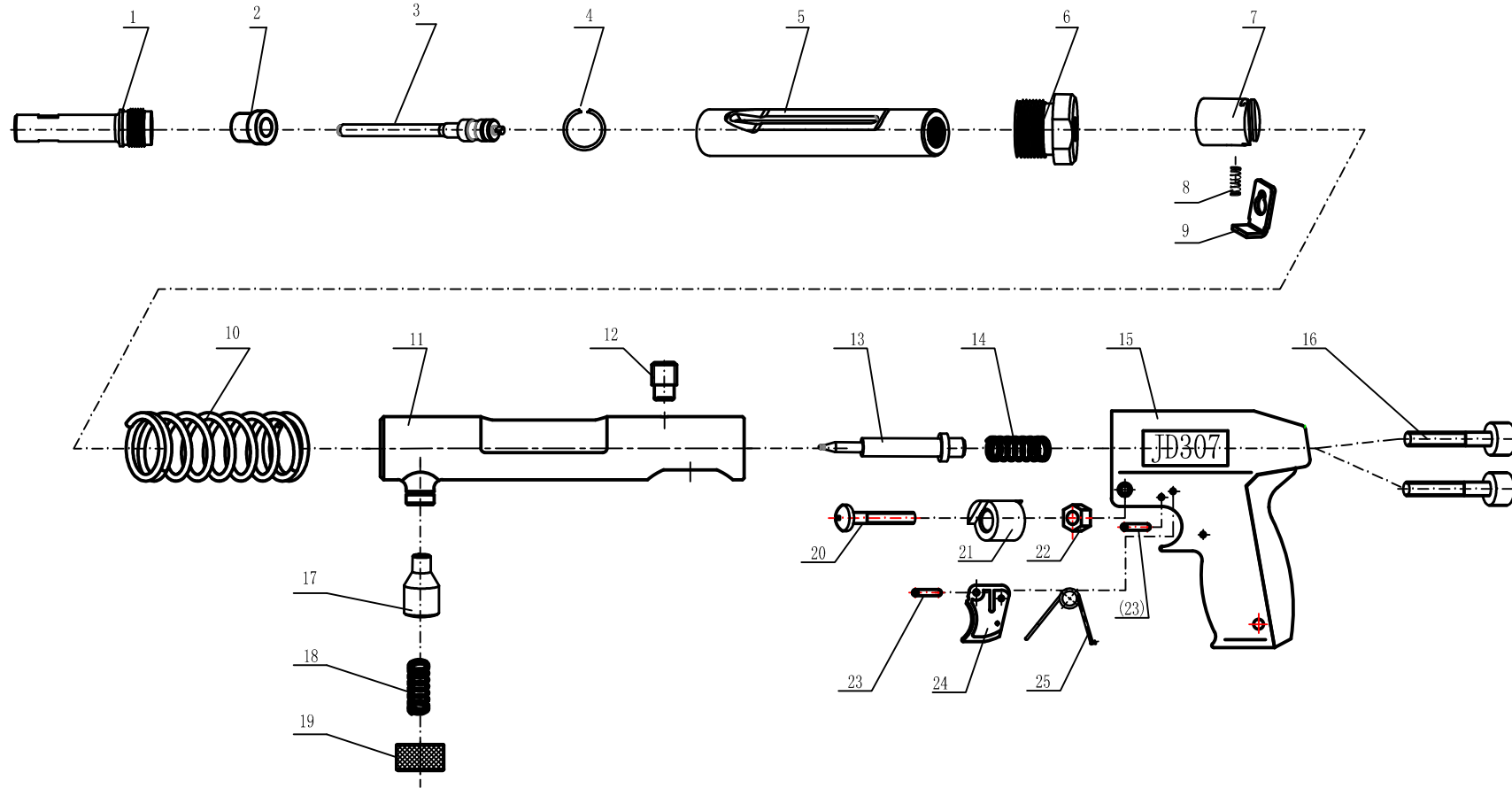


LIST OF PARTS FOR JD307 FASTENING TOOL



1 gudgeon
2 buffer
3 piston
4 piston ring
5 barrel
6 breech

7 breech block
8 safety guard spring
9 pawl
10 breech spring
11 breech sleeve
12 breech crew

13 firing pin
14 breech spring
15 handle
16 cap screw M6×38
17 tang
18 tang spring

19 tang cap
20 round head screw M4×25
21 spacer
22 nut M4
23 spring pin 3×22
24 trigger
25 trigger spring

2016. 7. 21