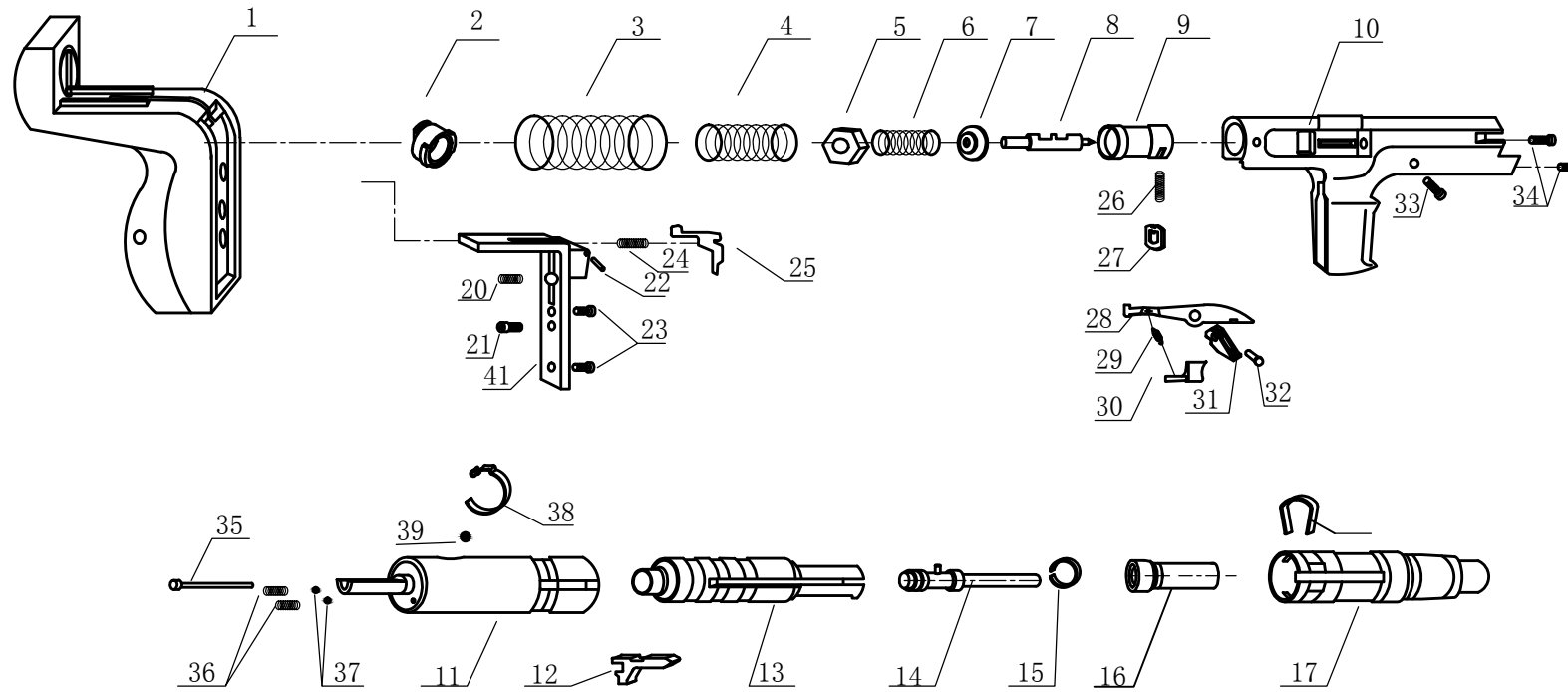


# LIST OF PARTS FOR JD301 FASTENING TOOL



- |    |                          |    |                      |    |                        |
|----|--------------------------|----|----------------------|----|------------------------|
| 1  | GRIP                     | 20 | TRIGGER SPRING       | 35 | IRING SLEEVE BAR       |
| 2  | COVER PLUG               | 21 | SCREW (M6X10)        | 36 | AGAZINE CATCH SPRING   |
| 3  | FIRING SLEEVE RETURN     | 22 | PIN (A4X18)          | 37 | BALL ( $\phi$ 5)       |
| 4  | FIRING SPRING            | 23 | SCREW (M6X10)        | 38 | ANNUAL SPRING          |
| 5  | NUT (M6)                 | 24 | LEVER SPRING         | 39 | BALL ( $\phi$ 6)       |
| 6  | FIRING PIN RETURN SPRING | 25 | FIRING LEVER         | 40 | CLIP SHERA             |
| 7  | RING                     | 26 | SEAR SPRING          | 41 | SUPPORTING ANGLE PIECE |
| 8  | FIRING PIN               | 27 | SEAR                 |    |                        |
| 9  | SEAR TUBE                | 28 | FEEDING LEVER        |    |                        |
| 10 | RECEIVER WITH LABEL      | 29 | FEEDING LEVER SPRING |    |                        |
| 11 | STEEL LINER              | 30 | TRIGGER              |    |                        |
| 12 | STOP                     | 31 | LEVER SEAT           |    |                        |
| 13 | PISTON SLEEVE            | 32 | HOLLOW PIN           |    |                        |
| 14 | PISTON                   | 33 | THREADED PIN         |    |                        |
| 15 | PISTON RING              | 34 | SCREW (M6X18)        |    |                        |
| 16 | GUIDE                    |    |                      |    |                        |
| 17 | BASE PLATE               |    |                      |    |                        |