

# Drywall Accessories

Section: 09260

## Control Joint

Product Number	Dimensions/Descriptions	Pieces Per Box
2027-16	Surface mount control joint with removable tape.	60

10' (3 m) Lengths

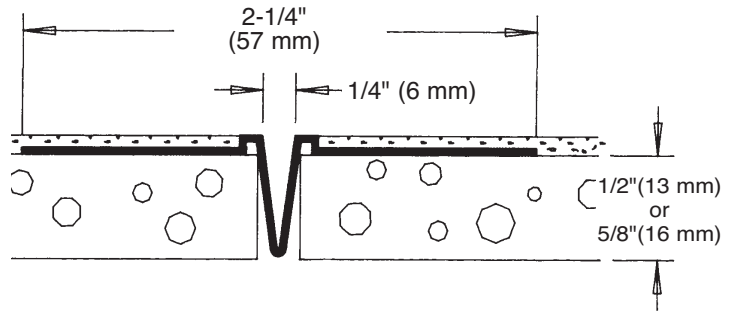


### Application:

Used in wall or ceiling applications. Designed to provide relief of stress in large areas. Removable tape protects the deep V during installation. Has built in 1/16" (2 mm) stop to ensure proper finish thickness.

### Specification:

Drywall Control Joint shall be Plastic Components, Inc. # \_\_\_\_\_. All drywall accessories shall conform to ASTM standards D3678 and C1047. All products shall be third party tested to meet ASTM standard D4216 and be Canadian Code Compliant. Finish compatible with drywall mud and all paint finishes. They shall be used where specified by the architect and installed per industry standards.



## Sheathing Slip Joint

Product Number	Dimensions/Descriptions	Board Thickness	Pieces Per Box
DW500-50	Slip joint. Can be used with any sheathing product.	1/2" (13 mm)	15
DW500-58	Opens from 1-1/4" to 1-3/4" (32 mm to 44 mm).	5/8" (16 mm)	15

10' (3 m) Lengths

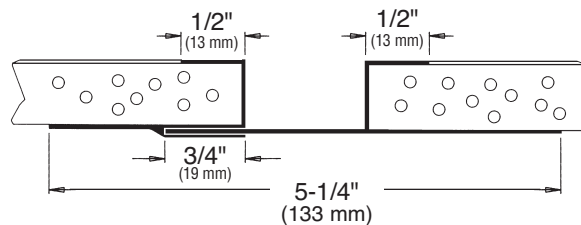


### Application: DW500-58

A two-piece slip joint for sheathing products. Designed for areas where unusual movement is anticipated. Part must be installed before drywall is firmly attached. May be installed in either vertical or horizontal applications.

### Specifications:

Sheathing Slip Joint shall be Plastic Components, Inc. # \_\_\_\_\_. All drywall accessories shall conform to ASTM standards D3678 and C1047. All products shall be third party tested to meet ASTM standard D4216 and be Canadian Code Compliant. Finish compatible with drywall mud and all paint finishes. They shall be used where specified by the architect and installed per industry standards.



800.327.7077 ■ Fax 305.887.2452  
www.plasticcomponents.com